

MODEL 4105 ACTUATOR POSITIONER

The 4105 Actuator Positioner is used in conjunction with pressure control heads to provide fast, accurate positioning of low-force mechanisms.

Input pressure acts against a piston, U cup and a spring, producing lever position output corresponding to input pressure.

The piston, U cup and large bearing surfaces for the rod and lever pins assure low friction for fast, accurate response and long service life.

APPLICATIONS

- For accurate positioning and control of governors, throttles and valves
- Used anywhere when low force positioning is required

Weight: 4 lb (1.8 kg)

Material: Die cast silicon bronze and stainless steel

Max. Input Pressure: 200 psi (13.8 bar)

Operating Temp. Range: -40°C to +90°C

Pipe Port Size: ¼" NPT

Stroke: Approximately 2 .3/8" at longest lever position

ORDERING INFORMATION

Model Designation

U - 10-80 PSIG input pressure range

R - 0-100 PSIG input pressure range

Other ranges are available on request

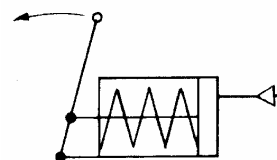
The standard model 4105 is supplied as follows:

- i. With adjustable stops and multi-position lever
- ii. With 10-80 PSIG pressure range

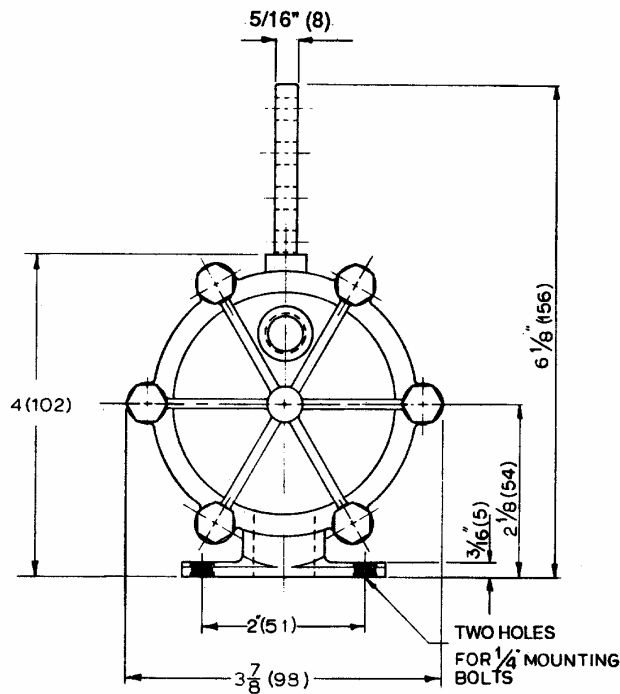
To order, state Model number followed by the desired Model Designation letter codes.

Example: standard 4105 with 10-80 PSI pressure range, the order number is
4105-U

SCHEMATIC SYMBOL



DIMENSIONS AND PARTS LIST MODEL 4105



All Dimensions in inches (mm)

Item	Qty	Part Number	Description
1	1	4105-0001	Lever
2	1	1001-0812	Hex Head Cap Screw
3	1	1022-0108	Nut
4	1	4105-0002	Piston Housing
5	4	1010-0806	Round Hd. Mach. Screw
6	1	4105-0003	Bracket
7	1	1001-1016	Hex Head Cap Screw
8	1	1022-0210	Jam Nut
9	1	4105-0004	Pin
10	6	1029-1037	Snap Ring
11	2	4105-0005	Pin
12	2	4105-0006	Linkage
13	1	1101-0149	"O" Ring
14	6	1001-1008	Hex Head Cap Screw
15	1	4105-0007	Piston
16	1	1022-0212	Hex Nut
17	1	4105-0008	End Cap
18	1	1102-0063	"U" Cup
19	*1	1201-0017	Spring (-U) 10-80 psi
19	*	1201-0021	Spring (-T) 10-60 psi
19	*	1201-0025	Spring (-R) 0-100 psi
20	1	4105-0010	Piston Rod

* Quantity may vary

