

# VARIA

DESIGN<sup>®</sup>  
FROM  
FINLAND

## An intelligent gas detector developed in co-operation with users

**Based on what** our users had to say, we have developed a modern, user-friendly gas detector. The detector is easy to install and connect to existing automation solutions. It is also compatible with other systems. The Varia display is clear and bright. The detector may also be used as a local alarm.

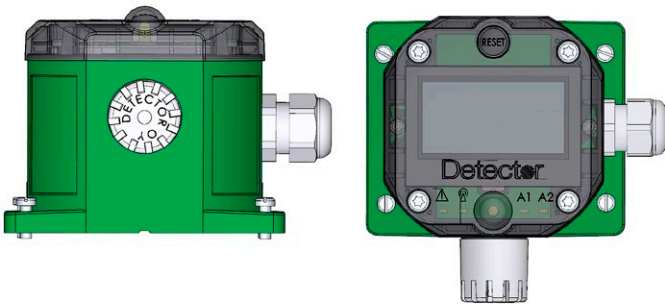
**Sustainable development has** been taken into account in the materials chosen for the detector. The Varia detector is modular in construction and its maintenance is cost-effective. This multipurpose detector is suitable for use in any space, even in the most demanding industrial conditions.

**The Varia is** a product of Finnish design, to which the Association for Finnish Work has granted the Design from Finland mark



### Features

- Large, 3.5" graphic display
- Highly visible LED alarm indicators
- Thermal and moisture compensation
- Operating voltage 16–36 V AC/DC
- Two relay outlets
- Current output signal (0–20 mA/4–20 mA) or voltage output signal (0–10 V)
- 3 or 4-wire connection
- Bus connection (Modbus)
- Alarm, fault and service data to the automation system



Detector Oy | tel. +358 207 756 480 | [detector@detector.fi](mailto:detector@detector.fi) | [www.detector.fi](http://www.detector.fi)