

## DN 1/2“ up to DN 2“; PN 40

**Pneumatically operated globe valve for the control of neutral, slightly aggressive and highly aggressive media.**

- High Cvs values
- Easy to isolate
- Compact design
- Unaffected by lightly contaminated media
- For temperatures from -148°F up to +428°F
- Working pressure up to 580 psi
- Actuator can be rotated
- Versatile customer specific options

### Technical Information

Nominal sizes	1/2" up to 2"
Body material	CF8M
Connection	Welding ends acc. ISO 1127
Nominal pressure	580 psi
Max. fluid temperature with metal bonnet	-22°F up to +338°F, opt.-148°F up to +428°F
with plastic bonnet	-22°F up to +275°F
with diaphragm actuator	-22°F up to +392°F, opt. -22°F up to + 428°F
Ambient temperature	-22°F up to +140°F
Viscosity of media	maximum 600cSt, 80°E (600 mm <sup>2</sup> /s)
Vacuum	maximum 0.0295 mercury (Hg)
Working pressure	See tables and diagrams, limitation for dangerous gases acc. Pressure equipment directive 2014/68/EU (category I): PS (psi) x DN (inch) / 1.75 < 1000
Working pressure for packing underneath	maximum 175 psi
Leakage acc. EN 12266-1	leakage class A
Packing leakage	ISO FE BH-CC3-SSA1-t(-22°F, +176°F) Test pressure 580 psi



### Options and accessories

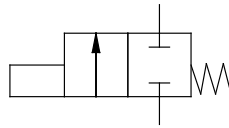
- Stroke limitation
- Manual emergency operation
- El. position indicator with inductive or mechanical limit switches
- Solenoid valves
- AS-I control head
- Oil- and greasefree version, PTFE-free version, siliconefree version
- Versions for oxygen or ozon applications
- FDA-compliant version
- Version acc. regulation (EG) 1935/2004
- Version approved acc. DIN 161 (automatic shut-off valves for gas burners and gas appliances)
- Offshore-version
- Feedback unit for inductive limit switches
- Version for higher pilot pressures
- Version for under water use
- ...

# Globe Valve 7017

## Built up and function

### Spring closes

The function „spring closes“ may be applied closing against or closing with the flow. In the configuration closing with the flow the valve should only be used for gaseous fluids. If used for liquids, water hammers may occur.



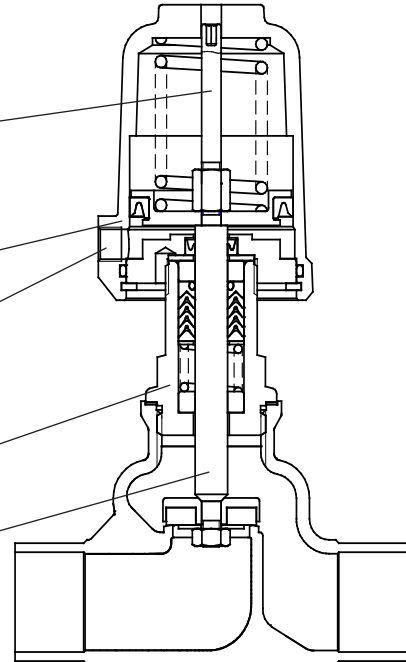
Removable position indicator

Bonnet can be rotated as required (compressed air connection)

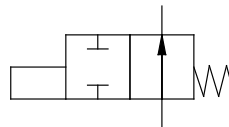
Direct pressure control (with a pilot valve if required) actuation by air, water, mineral oil and other media

Head Section

Piston rod stainless steel



### Spring opens



Bonnet material chrome plated brass, plastic, stainless steel or Aluminium

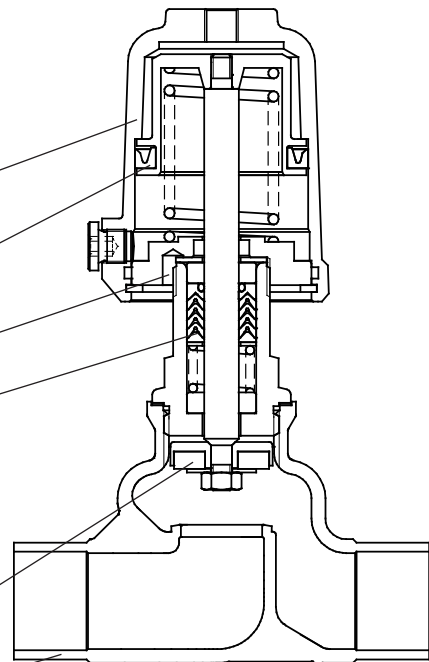
Exterior lip seal

Leak detector

PTFE packing, special version free or (packing underneath)

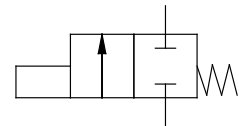
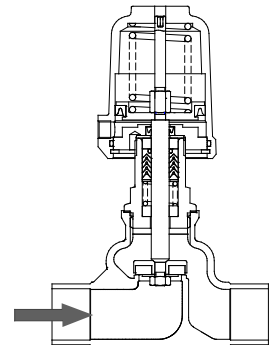
Seating seal in PTFE or other materials

Body



### Function „spring closes“, closing against flow

Nominal size	Version	Actuator	Springs	Max. differential pressure [psi]			Pilot pressure [psi]
				PTFE	PEEK 7	PEEK 8	
1/2"	Standard	2"	1	310	-	245	51 - 145
			2	500	165	435	66 - 145
			3	580	375	580	83 - 145
		3"	1	580	580	580	51 - 145
			2	580	580	580	81 - 145
			3	580	580	580	81 - 145
3/4"	Standard	2"	1	100	-	53	51 - 145
			2	180	-	135	66 - 145
			3	275	42	220	83 - 145
		3"	1	580	360	550	51 - 145
			2	580	555	580	64 - 145
			3	580	580	580	82 - 145
1"	Standard	2"	1	34	-	-	51 - 145
			2	82	-	46	66 - 145
			3	130	-	95	83 - 145
		3"	1	315	140	280	51 - 145
			2	435	250	395	64 - 145
			3	565	390	525	82 - 145
		5"	1	275	97	235	19 - 145
			2	580	405	550	32 - 145
			3	580	580	580	45 - 145
1 1/4"	Standard	2"	1	14	-	-	51 - 145
			2	44	-	15	66 - 145
			3	73	-	44	83 - 145
		3"	1	180	39	150	51 - 145
			2	245	105	215	64 - 145
			3	315	180	295	82 - 145
		5"	1	150	15	125	19 - 145
			2	340	200	310	32 - 145
			3	485	345	455	45 - 145
	10"	4	565	425	535	58 - 145	
		8	580	580	580	40 - 87	
		8	580	580	580	40 - 87	
pressure balanced	3"	2	580	-	580	66 - 145	
		1	580	580	580	51 - 145	
		2	580	580	580	64 - 145	
1 1/2"	Standard	2"	2	27	-	-	66 - 145
			3	47	-	23	83 - 145
			1	110	-	89	51 - 145
		3"	2	155	40	130	64 - 145
			3	200	89	180	82 - 145
			1	100	-	72	19 - 145
		5"	2	220	105	200	32 - 145
			3	315	200	295	45 - 145
			4	360	235	340	58 - 145
	d16	10"	8	460	345	435	40 - 87
			12	580	525	580	54 - 87
			3	580	-	580	83 - 145
	pressure balanced	3"	1	580	-	580	51 - 145
			2	580	580	580	64 - 145
			2	580	580	580	64 - 145



= Standard spring configuration

d16: reinforced design with 16mm (0.63") piston rod

PEEK 7: Seating seal made of PEEK for use below 320°F

PEEK 8: Seating seal made of PEEK for use above 320°F

For soft seals such as EPDM, FKM, NBR or Vulkolan the same values as with PTFE are valid

## Pilot and operating pressures

### Function „spring closes“, closing against flow

Nominal size	Version	Actuator	Springs	Max. differential pressure [psi]			Pilot pressure [psi]
				PTFE	PEEK 7	PEEK 8	
2"	Standard	2"	2	14	-	-	66 - 145
3			27	-	-	83 - 145	
1			59	-	40	51 - 145	
							2
3			110	17	94	82 - 145	
5"			1	55	-	36	19 - 145
		2	125	34	110	32 - 145	
		3	180	87	155	45 - 145	
d16		5"	4	185	98	170	58 - 145
			8	280	185	260	40 - 87
				12	395	300	375
pressure balanced		2"	2	455	-	-	66 - 145
			3	580	-	-	83 - 145
			3"	2	580	155	580
		3		580	580	580	82 - 145
	5"	2	580	580	580	32 - 145	

= Standard spring configuration

d16: reinforced design with 16mm (0.63") piston rod

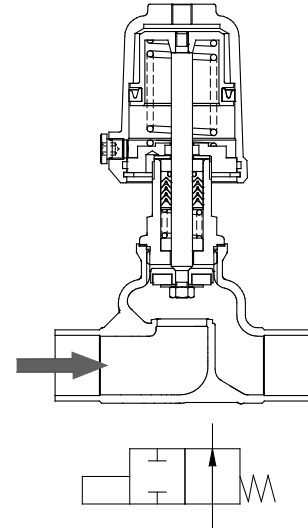
PEEK 7: Seating seal made of PEEK for use below 320°F

PEEK 8: Seating seal made of PEEK for use above 320°F

For soft seals such as EPDM, FKM, NBR or Vulkolan the same values as with PTFE are valid

## Pilot and operating pressures

Function „spring opens“, closing against flow



Seating seal PTFE, EPDM, FKM, NBR or Vulkolan

Nominal size	Version	Actuator $\varnothing$	Max. differential pressure [psi] at available pilot pressure [psi]													
			20	30	40	50	60	70	80	90	100	110	120	130	140	
1/2"	Standard	2"	0	0	47	185	325	465	580	580	-	-	-	-	-	
		3"	310	580	-	-	-	-	-	-	-	-	-	-	-	
3/4"	Standard	2"	0	0	0	54	120	190	260	330	400	470	540	580	580	
		3"	115	300	480	480	580	-	-	-	-	-	-	-	-	
1"	Standard	2"	0	0	0	15	56	97	135	180	220	260	300	345	385	
		3"	53	160	270	375	485	580	580	-	-	-	-	-	-	
1 1/4"	Standard	2"	0	0	0	2	28	54	79	105	130	155	180	205	230	
		3"	21	89	155	220	290	355	425	560	580	-	-	-	-	
		5"	205	370	535	-	-	-	-	-	-	-	-	-	-	
1 1/2"	Standard	2"	0	0	0	0	16	33	51	69	87	105	120	140	155	
		3"	8	55	100	145	195	240	290	335	380	430	475	525	570	
		5"	135	250	365	480	580	-	-	-	-	-	-	-	-	
2"	Standard	2"	0	0	0	0	6	18	30	41	52	64	76	87	99	
		3"	0	27	58	88	115	145	175	205	235	270	300	330	360	
		5"	80	155	230	300	375	450	525	580	-	-	-	-	-	

d16: reinforced design with 16mm (0.63") piston rod

Actuator 2": max. pilot pressure 15 psi above the required pilot pressure

Actuator 3": max. pilot pressure 12 psi above the required pilot pressure

Actuator 5" and 10": max. pilot pressure 7 psi above the required pilot pressure

## Pilot and operating pressures

### Function „spring opens“, closing against flow

Seating seal PEEK-8

Nominal size	Version	Actuator	Max. differential pressure [psi] at available pilot pressure [psi]												
			20	30	40	50	60	70	80	90	100	110	120	130	140
1/2"	Standard	2"	0	0	0	120	260	400	540	580	-	-	-	-	-
		3"	245	580	580	-	-	-	-	-	-	-	-	-	-
3/4"	Standard	2"	0	0	0	7	77	145	215	285	350	420	490	560	580
		3"	71	250	435	580	-	-	-	-	-	-	-	-	-
1"	Standard	2"	0	0	0	0	20	61	100	140	185	225	265	305	350
		3"	17	125	230	340	450	555	580	-	-	-	-	-	-
1 1/4"	Standard	2"	0	0	0	0	0	25	51	76	100	125	150	175	205
		3"	0	60	125	195	260	325	395	460	530	580	-	-	-
		5"	175	340	505	580	-	-	-	-	-	-	-	-	-
1 1/2"	Standard	3"	0	31	78	125	170	215	265	310	360	405	450	500	545
		5"	110	225	345	460	575	-	-	-	-	-	-	-	-
2"	Standard	3"	0	8	39	69	99	125	160	190	220	250	280	310	340

Seating seal PEEK-7

Nominal size	Version	Actuator	Max. differential pressure [psi] at available pilot pressure [psi]												
			20	30	40	50	60	70	80	90	100	110	120	130	140
1/2"	Standard	2"	0	0	47	185	325	465	580	580	-	-	-	-	-
		3"	310	580	-	-	-	-	-	-	-	-	-	-	-
3/4"	Standard	2"	0	0	0	54	120	190	260	330	400	470	540	580	580
		3"	115	300	480	580	-	-	-	-	-	-	-	-	-
1"	Standard	3"	53	160	270	375	485	580	580	-	-	-	-	-	-
		5"	350	580	-	-	-	-	-	-	-	-	-	-	-
1 1/4"	Standard	3"	21	89	155	220	290	355	425	490	560	580	-	-	-
		5"	205	370	535	-	-	-	-	-	-	-	-	-	-
1 1/2"	Standard	3"	8	55	100	145	195	240	290	335	380	430	475	525	570
		5"	135	250	365	480	580	-	-	-	-	-	-	-	-
2"	Standard	3"	0	27	58	88	115	145	175	205	235	270	300	330	360
		5"	80	155	230	300	375	450	525	580	-	-	-	-	-
		10"	22	175	325	480	-	-	-	-	-	-	-	-	-

d16: reinforced design with 16mm (0.63") piston rod

PEEK 7: Seating seal made of PEEK for use below 320°F

PEEK 8: Seating seal made of PEEK for use above 320°F

Actuator 2": max. pilot pressure 15 psi above the required pilot pressure

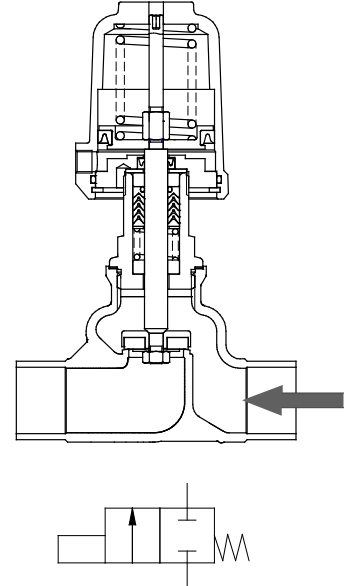
Actuator 3": max. pilot pressure 12 psi above the required pilot pressure

Actuator 5" and 10": max. pilot pressure 7 psi above the required pilot pressure

## Pilot and operating pressures

### Function „spring closes“, closing with flow

- Angled seat valve closing with the flow, spring closes
- Use preferably for gaseous fluids
- With liquids waterhammers are possible



Seating seal PTFE, EPDM, FKM, NBR or Vulkolan

Nominal Size	Version	Actuator	Springs	Max. differential pressure [psi] at available pilot pressure [psi]												
				20	30	40	50	60	70	80	90	100	110	120	130	140
1/2"	Standard	2"	Standard	0	0	195	530	580	580	580	580	580	580	580	580	580
3/4"	Standard	2"	Standard	0	0	92	185	285	380	480	580	580	580	580	580	580
		3"	Standard	145	400	580	580	580	580	580	580	580	580	580	580	580
1"	Standard	2"	Standard	0	0	58	105	155	205	255	305	355	405	455	475	475
		3"	Standard	80	210	340	470	475	475	475	475	475	475	475	475	475
1 1/4"	Standard	2"	Standard	0	0	34	62	91	120	145	175	205	230	260	275	275
		3"	Standard	49	120	200	275	350	425	500	505	505	505	505	505	505
		5"	Standard	250	435	505	505	505	505	505	505	505	505	505	505	505
1 1/2"	Standard	2"	Standard	0	0	34	62	91	120	145	1175	205	230	260	275	275
		3"	Standard	0	43	94	140	195	245	295	330	330	330	330	330	330
		5"	Standard	70	195	320	330	330	330	330	330	330	330	330	330	330
2"	Standard	d16	5"	1	67	190	315	435	560	580	580	580	580	580	580	580
		2"	Standard	0	0	0	0	32	44	56	69	81	93	105	115	115
		3"	Standard	0	33	65	97	125	160	190	215	215	215	215	215	215
	5"	Standard	50	125	205	215	215	215	215	215	215	215	215	215	215	
2"	Standard	d16	5"	1	49	125	200	280	355	435	510	550	550	550	550	550
		5"	Standard	49	125	200	280	355	435	510	550	550	550	550	550	550

d16: reinforced design with 16mm (0.63") piston rod

Pilot and operating pressures

Function „spring closes“, closing with flow

Seating seal PEEK-8

Nominal Size	Version	Actuator	Springs	Max. differential pressure [psi] at available pilot pressure [psi]												
				20	30	40	50	60	70	80	90	100	110	120	130	140
1/2"	Standard	2"	2	0	0	0	0	125	460	580	580	580	580	580	580	580
3/4"	Standard	2"	2	0	0	0	9	105	200	300	395	495	580	580	580	580
		3"	1	0	0	0	190	445	580	580	580	580	580	580	580	
		5"	1	260	580	580	580	580	580	580	580	580	580	580	580	
1"	Standard	2"	2	0	0	0	27	77	125	175	225	275	325	375	425	475
		3"	1	0	0	0	125	255	385	475	475	475	475	475	475	
		5"	1	260	580	580	580	580	580	580	580	580	580	580	580	
1 1/4"	Standard	2"	2	0	0	0	17	45	74	100	130	160	185	215	245	275
		3"	1	0	0	12	88	160	235	310	385	460	505	505	505	
		5"	1	95	280	465	505	505	505	505	505	505	505	505	505	
1 1/2"	Standard	3"	1	0	0	17	68	115	170	220	270	320	330	330	330	
		5"	2	0	59	185	310	330	330	330	330	330	330	330		
	d16	5"	2	0	56	180	300	425	550	580	580	580	580	580		
2"	Standard	3"	2	0	0	0	25	57	89	120	150	180	215	215	215	
		5"	2	0	50	125	205	215	215	215	215	215	215	215		
	d16	5"	2	0	47	125	200	280	355	435	510	550	550	550		
		10"	6	41	200	360	520	550	550	550	550	550	550			

Seating seal PEEK-7

Nominal Size	Version	Actuator	Springs	Max. differential pressure [psi] at available pilot pressure [psi]												
				20	30	40	50	60	70	80	90	100	110	120	130	140
1/2"	Standard	2"	2	0	0	0	0	125	460	580	580	580	580	580	580	
3/4"	Standard	3"	1	0	0	0	190	445	580	580	580	580	580	580		
			1	260	580	580	580	580	580	580	580	580				
1"	Standard	3"	1	0	0	0	125	255	385	475	475	475	475	475		
			1	150	470	475	475	475	475	475	475	475	475			
1 1/4"	Standard	3"	2	0	0	0	12	88	160	235	310	385	460	505	505	
		5"	1	95	280	465	505	505	505	505	505	505	505			
1 1/2"	Standard	3"	2	0	0	0	20	70	120	170	220	270	325	330	330	
		5"	2	0	59	185	310	330	330	330	330	330	330			
	d16	5"	2	0	56	180	300	425	550	580	580	580	580			
2"	Standard	5"	2	0	50	125	205	215	215	215	215	215	215	215		
		5"	2	0	47	125	200	280	355	435	510	550	550			
	d16	10"	6	41	200	360	520	550	550	550	550	550				
2 1/2"	Standard	5"	3	0	0	39	82	125	165	170	170	170	170	170		
		5"	3	0	0	37	80	120	165	205	250	290	290			
	d16	10"	6	23	110	200	290	290	290	290	290	290				
3"	d16	5"	2	0	17	47	77	105	135	165	185	185	185	185		
		10"	6	15	77	135	185	185	185	185	185	185				

d16: reinforced design with 16mm (0.63") piston rod  
 PEEK 7: Seating seal made of PEEK for use below 320°F  
 PEEK 8: Seating seal made of PEEK for use above 320°F

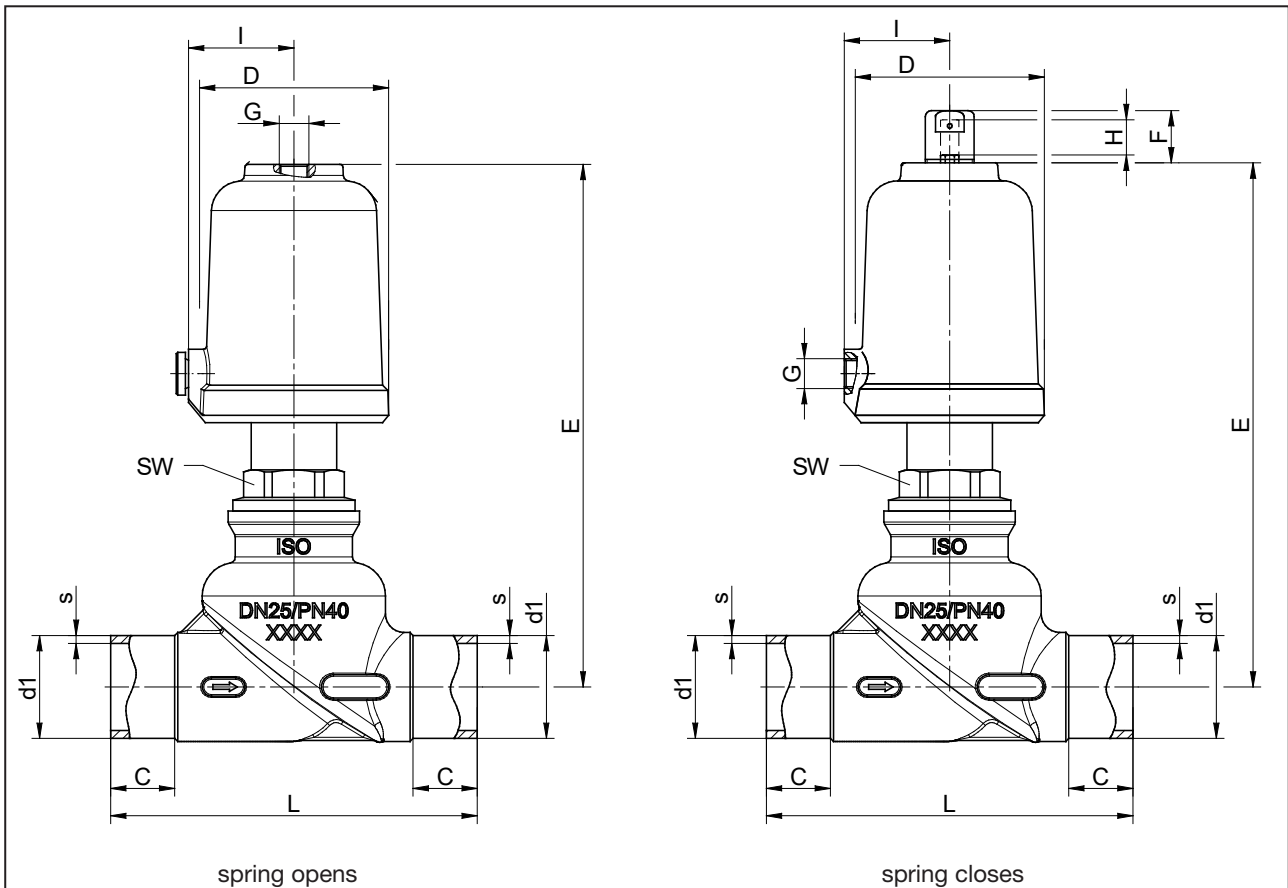




# Globe Valve 7017

## Standard design

### Dimensions and weights



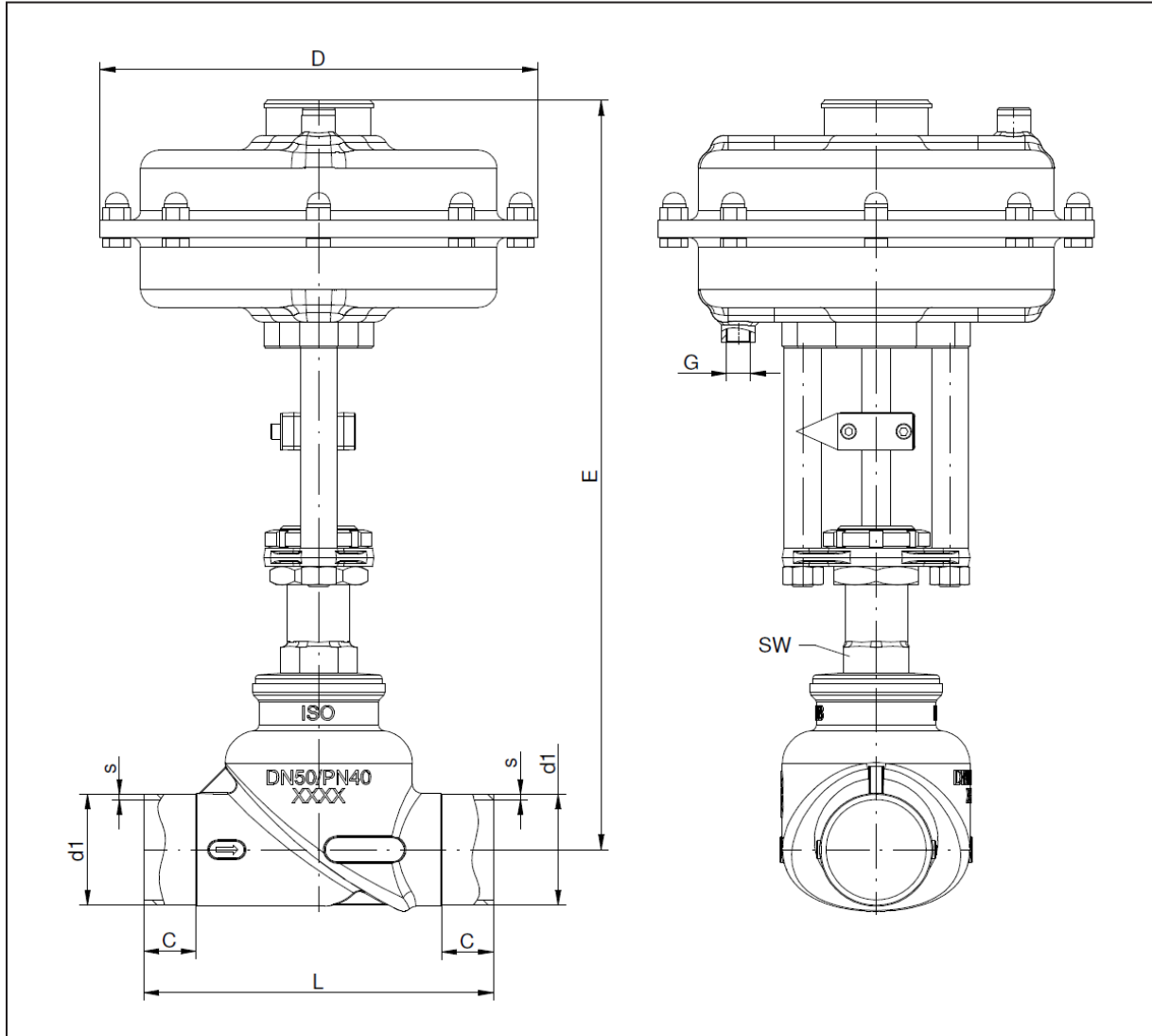
Size	Actuator	Welding ends acc ISO 1127 - B				D	E	F	G	H (stroke)	I	SW		Cv-values	Weight (lbs)
		d1	s	C	L							stand.	reinfor.		
1/2"	2"	0.84	0.08	0.79	3.74	2.45	6.06	0.63	NPT 1/8"	0.28	1.35	1.2	-	4.9	2.42
3/4"	2"	1.06	0.09	0.87	4.33	2.45	6.42	0.63	NPT 1/8"	0.47	1.35	1.2	-	10.4	2.64
1"	2"	1.33	0.1	0.83	4.72	2.45	6.81	0.63	NPT 1/8"	0.63	1.35	1.2	-	17.4	3.08
	3"	1.33	0.1	0.83	4.72	3.8	8.27	1.46	NPT 1/4"	0.63	2.15	1.2	-	18.6	6.6
1 1/4"	2"	1.67	0.1	0.79	5.51	2.45	7.56	0.63	NPT 1/8"	0.63	1.35	1.2	-	26.7	3.96
	3"	1.67	0.1	0.79	5.51	3.8	9.09	1.46	NPT 1/4"	0.79	2.15	1.2	-	27.8	7.26
	5"	1.67	0.1	0.79	5.51	5.75	10.08	1.46	NPT 1/4"	0.79	3.15	1.2	-	27.8	12.1
1 1/2"	2"	1.9	0.1	0.87	6.3	2.45	7.76	0.63	NPT 1/8"	0.63	1.35	1.2	-	38.3	4.62
	3"	1.9	0.1	0.87	6.3	3.8	9.29	1.46	NPT 1/4"	0.91	2.15	1.2	-	40.6	7.92
	5"	1.9	0.1	0.87	6.3	5.75	10.27	1.46	NPT 1/4"	0.91	3.15	1.2	-	40.6	12.76
2"	2"	2.37	0.11	1.1	7.48	2.45	8.23	0.63	NPT 1/8"	0.63	1.35	1.25	-	53.4	5.94
	3"	2.37	0.11	1.1	7.48	3.8	9.76	1.46	NPT 1/4"	1.14	2.15	1.25	1.4	54.5	9.24
	5"	2.37	0.11	1.1	7.48	5.75	10.75	1.46	NPT 1/4"	1.14	3.15	1.25	1.4	54.5	14.08

Dimensions in inch

# Globe Valve 7017

## Reinforced design

### Dimensions and weights



Size	Actuator	Welding ends acc ISO 1127 - B				D	E	G	H (stroke)	SW reinf.	Cv- values	Weight (lbs)
		d1	s	C	L							
2"	10"	2.37	0.11	1.1	7.48	9.37	16.06	NPT 1/4"	0.98	1.4	54.5	14.33

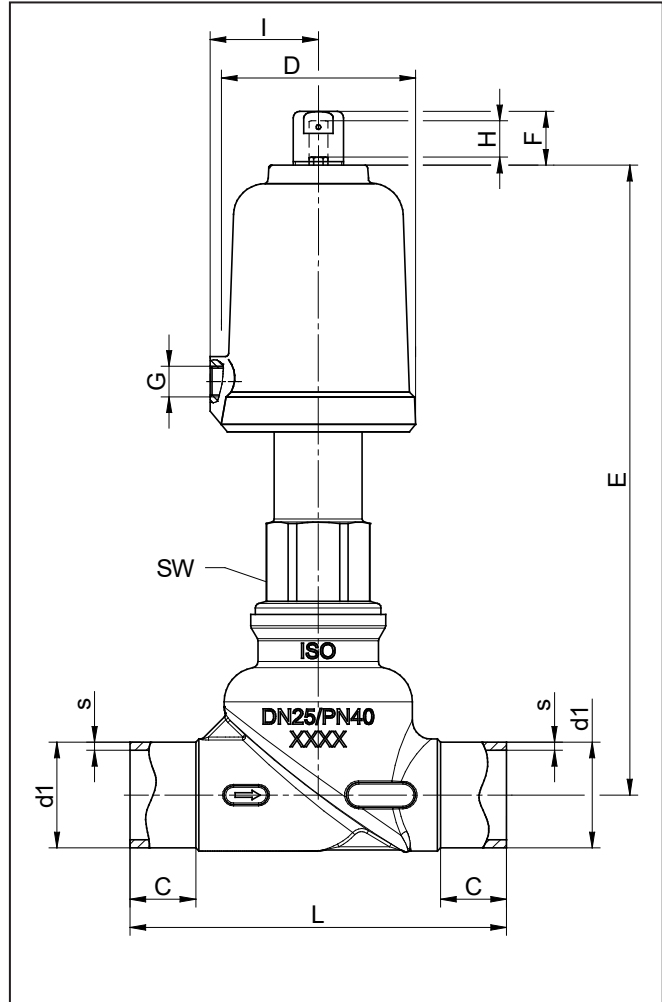
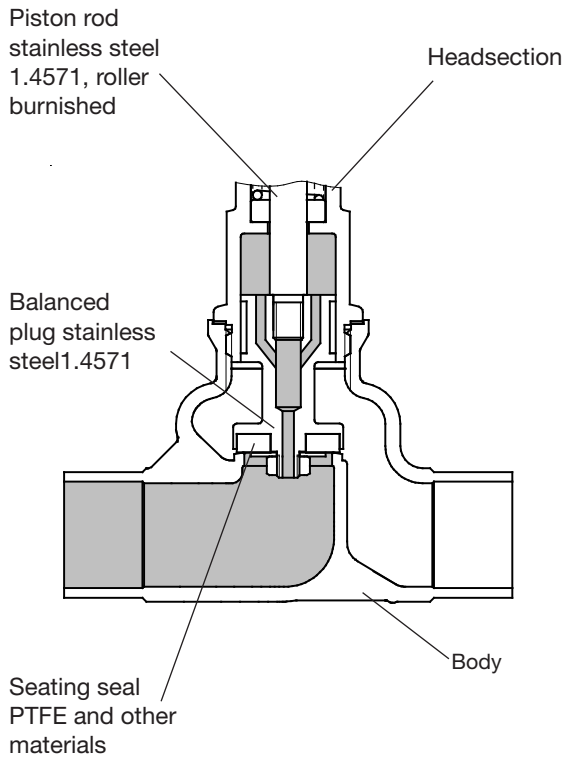
Dimensions in inch

# Globe Valve 7017

Pressure balanced version



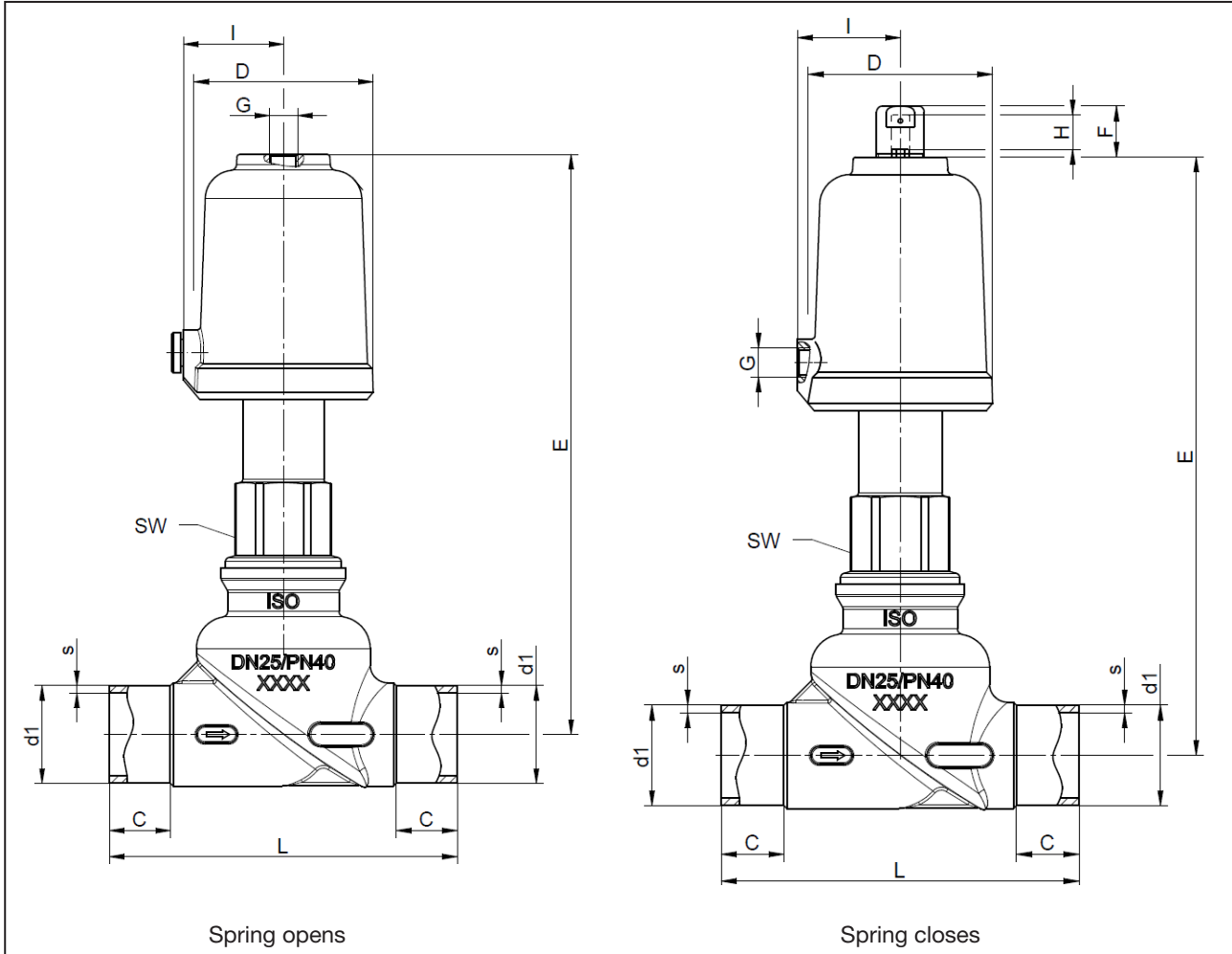
## Built up, dimensions and weights



Size	Actuator	Welding ends acc ISO 1127 - B				D	E	F	G	H (stroke)	I	SW	Cv- values	Weight (lbs)
		d1	s	C	L									
1 1/4"	2"	1.67	0.1	0.79	5.51	2.45	8.43	0.63	NPT 1/8"	0.63	1.35	1.2	26.7	4.41
	3"	1.67	0.1	0.79	5.51	3.8	9.96	1.46	NPT 1/4"	0.79	2.15	1.2	27.8	7.72
	5"	1.67	0.1	0.79	5.51	5.75	10.94	1.46	NPT 1/4"	0.79	3.15	1.2	27.8	12.56
1 1/2"	2"	1.9	0.1	0.87	6.3	2.45	8.82	0.63	NPT 1/8"	0.63	1.35	1.2	38.3	5.07
	3"	1.9	0.1	0.87	6.3	3.8	10.36	1.46	NPT 1/4"	0.91	2.15	1.2	40.6	8.38
	5"	1.9	0.1	0.87	6.3	5.75	11.34	1.46	NPT 1/4"	0.91	3.15	1.2	40.6	13.23
2"	2"	2.37	0.11	1.1	7.48	2.45	9.57	0.63	NPT 1/8"	0.63	1.35	1.25	53.4	7.05
	3"	2.37	0.11	1.1	7.48	3.8	11.1	1.46	NPT 1/4"	1.14	2.15	1.25	54.5	10.36
	5"	2.37	0.11	1.1	7.48	5.75	10.09	1.46	NPT 1/4"	1.14	3.15	1.25	54.5	15.21

Dimensions in inch

### Dimensions and weights



Size	Actuator	Welding ends acc ISO 1127 - B				D	E	F	G	H (stroke)	I	SW		Cv-values	Weight (lbs)
		d1	s	C	L							stand.	reinfor.		
1/2"	2"	0.84	0.08	0.79	3.74	2.45	6.93	0.63	NPT 1/8"	0.28	1.35	1.2	-	4.9	2.64
3/4"	2"	1.06	0.09	0.87	4.33	2.45	7.28	0.63	NPT 1/8"	0.47	1.35	1.2	-	10.4	2.86
1"	2"	1.33	0.1	0.83	4.72	2.45	7.68	0.63	NPT 1/8"	0.63	1.35	1.2	-	17.4	3.3
	3"	1.33	0.1	0.83	4.72	3.8	9.13	1.46	NPT 1/4"	0.63	2.15	1.2	-	18.6	6.82
1 1/4"	2"	1.67	0.1	0.79	5.51	2.45	8.43	0.63	NPT 1/8"	0.63	1.35	1.2	-	26.7	4.18
	3"	1.67	0.1	0.79	5.51	3.8	9.96	1.46	NPT 1/4"	0.79	2.15	1.2	-	27.8	7.48
	5"	1.67	0.1	0.79	5.51	5.75	10.94	1.46	NPT 1/4"	0.79	3.15	1.2	-	27.8	12.32
1 1/2"	2"	1.9	0.1	0.87	6.3	2.45	8.62	0.63	NPT 1/8"	0.63	1.35	1.2	-	38.3	4.84
	3"	1.9	0.1	0.87	6.3	3.8	10.16	1.46	NPT 1/4"	0.91	2.15	1.2	-	40.6	8.14
	5"	1.9	0.1	0.87	6.3	5.75	11.14	1.46	NPT 1/4"	0.91	3.15	1.2	-	40.6	12.98
2"	2"	2.37	0.11	1.1	7.48	2.45	9.09	0.63	NPT 1/8"	0.63	1.35	1.25	-	53.4	6.16
	3"	2.37	0.11	1.1	7.48	3.8	10.63	1.46	NPT 1/4"	1.14	2.15	1.25	1.4	54.5	9.46
	5"	2.37	0.11	1.1	7.48	5.75	11.61	1.46	NPT 1/4"	1.14	3.15	1.25	1.4	54.5	14.3

Dimensions in inch