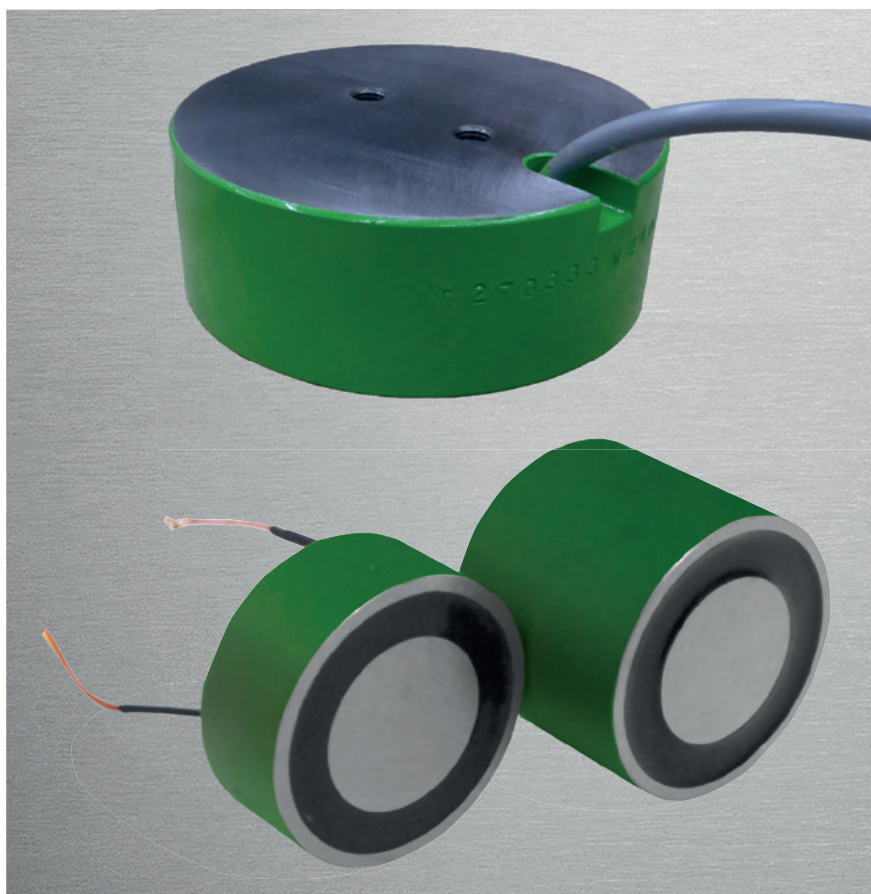


## Electro-lifting magnet



Electro-lifting magnets of type 535 und 536 can be used for transport and wrapping of steel products as well as for commercial holding of ferromagnetic parts in production and in device manufacturing, where particularly high pull-off-strengths are necessary.

The magnetic body is made from special steel with high magnetic conductivity. The coil is made from highly insulated copper wire and is cast in a magnetic housing, fully vibration- and moisture-protected.

For fixing the magnets tapped holes are provided at the back.

The electrical connection is offered in various designs according to the customer specifications. The DC supply can occur through our rectifier or on actuation via PLC in full-automatic mode with our pole reversal control unit.

If the electro-lifting magnet is not used only in the protected area, a backup-battery and an automatic warning device is necessary to signal power failure as per EN13155. This ensures that the transported parts are held safely and emergency measures can be taken. After switching off or in case of power failure, the parts become loose instantly or slightly delayed, depending on the material and weight.

### Options:

- Fastening thread at the rear
- Rectifier and demagnetisation switch (for simple demands)
- Pole reversal control units that work as an adjustable DC supply and as a polarity-reversing unit
- Control units to operate the pole reversal control units and rectifiers
- This magnet is also used as a holding magnet, e. g. for fire safety doors. These are kept open in normal operation and can be switched off immediately in case of fire - the fire safety door closes. Here, the design is according to the pull-off-strengths mentioned in the table.

Dimensions and technical data:

Type	Ø D [mm]	H [mm]	Power [Watt]	Weight [kg]	Pull-off-strength [daN] ①	Lifting capacity [daN] ②
535-4	40	32	5	0,30	50	25
535-5	50	32	7	0,42	90	45
535-6,3	63	32	10	0,65	180	90
535-8	80	32	14	1,10	300	150
535-10	100	32	21	1,70	460	230
535-15	150	50	42	5,80	800	400

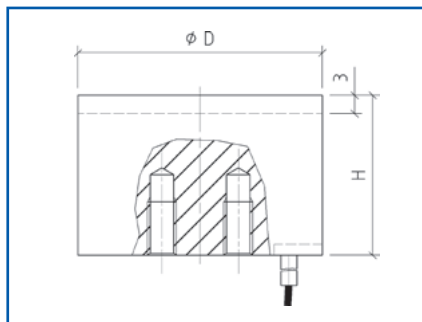
Electro-lifting magnet  
Type 535

Type	Ø D [mm]	H [mm]	Power [Watt]	Weight [kg]	Pull-off-strength [daN] ①	Lifting capacity [daN] ②
536-4	40	65	8,5	0,55	50	25
536-5	50	65	9,5	0,85	100	50
536-6,3	63	65	13	1,30	180	90
536-8	80	65	18	2,10	300	150
536-10	100	65	22	3,35	480	240
536-15	150	65	44	7,55	800	400
536-18	180	80	66	14,5	1500	750
536-25	250	100	165	34,0	3000	1500
536-30	300	110	220	55,0	3600	1800

Electro-lifting magnet  
Type 536

① measured acc. to EN13155, at air gap = 0 mm  
 ② calculated with 2x safety from the pull-off-strength at operating temperature

- Nominal voltage: 24 / 110 / 220 V DC
- Protection class: IP 00 to IP 65 as per connection type
- rel. operating time: 60 to 100 %
- Other dimensions available upon request.



Wagner Magnete GmbH & Co. KG  
 Obere Straße 15  
 D-87751 Heimertingen  
 Phone: (08335) 980-0  
 Fax: (08335) 980-270  
 www.wagner-magnete.de  
 e-mail: info@wagner-magnete.de

**Technology  
 Full of  
 Attraction**