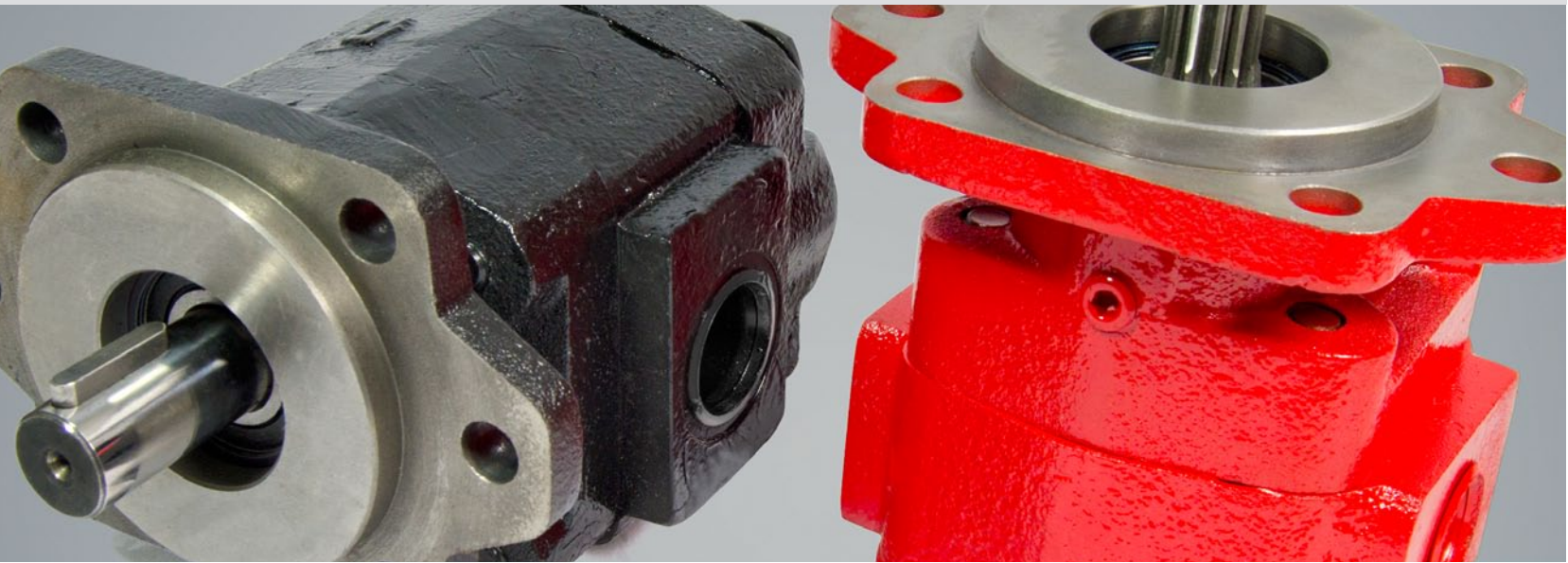


# Genuine Metaris MH20 Series Gear Pumps

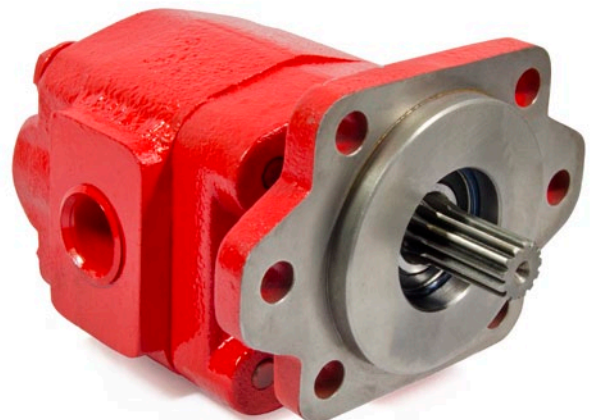
Bearing Style Gear Pumps & Motors



## Performance When You Need it Most

Genuine Metaris MH20 series bearing pumps & motors are available in 7 different gear sizes with a variety of mounting flanges, shaft configurations and porting options. Multi-section units, piggyback designs, dowelled assemblies & flow dividers are all also available. With ductile iron housings, these pumps offer pressure ratings as high as 3000 psi for the most demanding of applications. The MH series are perfect alternatives to other gear pump products from Commercial®/Parker® and Muncie®.

- Suitable for a variety of applications
- Multiple displacements and options available
- Heavy Duty Roller Bearing Design
- Dowelled and Rugged Cast Iron Construction
- Pressure Balanced Wear Plates
- Pressures up to 3000 psi
- Multiple Bearing Carrier Options
- Variety of Mounting Flange and Shaft Options
- Speeds up to 2400 rpm
- Multiple Porting Options
- High Strength Steel Gear & Shaft Sets
- Alternatives for Commercial®/Parker® and Muncie® gear products



# MH20 Series Gear Pump & Motor

## MODEL CODE BREAKDOWN

Repeat for Tandem Units

1      2      3      4      5      6      7      8      9      6      7      10  
**MHP - 20 - A - 1 - 07 - WE - AB - 10 - 12 - DH - \* - \* - \***

**Type**<sup>1</sup>

MHP = Pump  
 MHM = Motor

**Unit**<sup>2</sup>

A = Single Unit  
 B = Tandem Unit  
 C = Single or Tandem Unit w/ a Continental Shaft

**Shaft End Cover**<sup>3</sup>

1 = Pump w/o Shaft Bearing (Clockwise Rotation)  
 2 = Pump w/o Shaft Bearing (Counter-clockwise Rotation)  
 3 = Pump w/o Shaft Bearing (Double Rotation)  
 4 = Pump w/ Shaft Bearing (Clockwise Rotation)  
 5 = Pump w/ Shaft Bearing (Counter-clockwise Rotation)  
 6 = Pump w/ Shaft Bearing (Double Rotation)  
 8 = Motor w/ Shaft Bearing & 1/4" Drain Port  
 9 = Motor w/o Shaft Bearing & 1/4" Drain Port

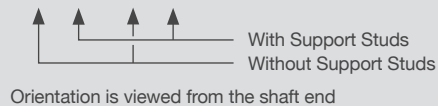
**Shaft End Cover**<sup>4</sup>

27 = 4-Bolt Cloverleaf Mount (Type 2)    94 = SAE 2-Bolt "A" Mount (Type 1)  
 42 = SAE 4-Bolt "B" Mount (Type 1)    96 = SAE 2-Bolt "B" Mount (Type 2)  
 46 = SAE 2/4-Bolt "B" Mount (Type 1)    97 = SAE 2-Bolt "B" Mount (Type 1)

**Port End Cover**<sup>5</sup>

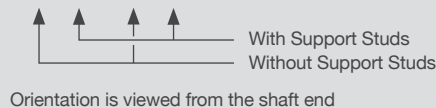
**NPT Codes**

Single Units	Tandem Units	Port Size		A	B
		Left	Right		
BE   BY	BI   BJ	None	None	n/a	n/a
KE   KY	KI   KY	3/4"	None	n/a	1.4
LE   LY	LI   LY	None	3/4"	1.4	n/a
ME   MY	MI   MY	3/4"	3/4"	1.4	1.4
QU   QQ	QO   QQ	1"	1"	1.4	1.4
AI	AI	3/4"	1"	1.4	1.4
EI	EI	1"	3/4"	1.4	1.4



**ORB Codes**

Single Units	Tandem Units	Port Size		A	B
		Left	Right		
CE   CY	CI   CY	3/4"	None	n/a	1.4
DE   DY	DI   DY	None	3/4"	1.4	n/a
FE   FY	FI   FY	3/4"	3/4"	1.4	1.4
GE   GY	GI   GY	1"	3/4"	1.4	1.4
HE   HY	HI   HY	3/4"	1"	1.4	1.4
JE   JY	JI   JY	1"	1"	1.4	1.4
MA   YO	MU   YO	1"	None	n/a	1.4
RA   RO	SU   RO	None	1"	1.4	n/a



**Connecting Shaft**<sup>10</sup>

For connecting tandem units  
 1 = Connecting Shaft - Multiple Units

**Bearing Carriers**<sup>9</sup>

See technical catalog for options

**Shaft Type**<sup>8</sup>

07 = SAE "C" 14 Tooth Spline 1.250" Dia. (Cont. Only)  
 12 = Keyed Shaft .75" Dia. x 1.56 Key (Cont. Only)  
 15 = SAE "B" Keyed .875 Dia. w/ 5/8"-18 Thd (Cont. Only)  
 25 = SAE "B" 13 Tooth Spline .88" Dia.  
 30 = SAE "B" Keyed .88" Dia. 1/4" x 3/8" x 1" Key  
 43 = SAE "BB" Keyed 1" Dia. 1/4" x 3/8" x 1-1/4" Key  
 95 = SAE "A" 9 Tooth Spline .62" Dia.  
 65 = SAE "B" Spline Type 2  
 66 = SAE "B" Keyed Type 2  
 98 = SAE "BB" 15 Tooth Spline 1" Dia.

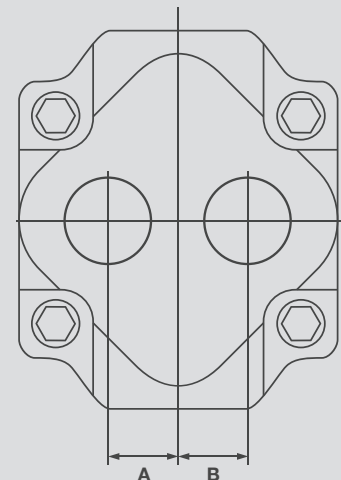
**Gear Size**<sup>7</sup>

Code / Displacement (in<sup>3</sup>/r)

05	07	10	12	15	17	20
(.99)	(1.48)	(1.97)	(2.46)	(2.96)	(3.45)	(3.94)

**Gear Housing**<sup>6</sup>

See technical catalog for options



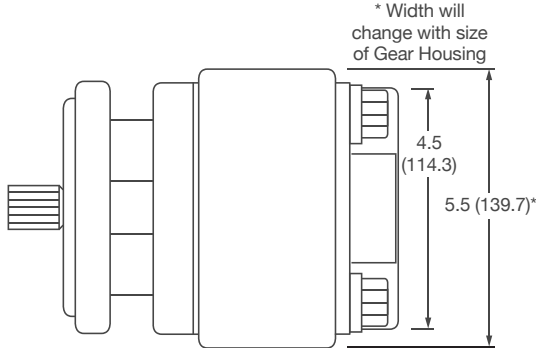
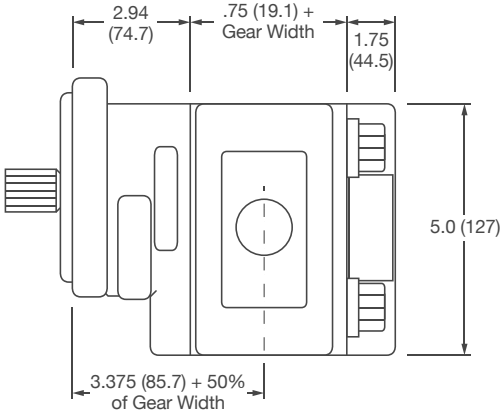
# SPECIFICATIONS

GEAR WIDTH		DISPLACEMENT		MAX PRESSURE		WEIGHT
		IN <sup>3</sup> /REV	(CM <sup>3</sup> /REV)	PSI	BAR	LBS (KGS)
.05	1/2"	.99	(16.1)	3000	(207)	24 (11)
.07	3/4"	1.48	(24.2)	3000	(207)	25 (11)
1.00	1"	1.97	(32.3)	3000	(207)	26 (12)
1.25	1-1/4"	2.46	(40.4)	3000	(207)	28 (13)
1.50	1-1/2"	2.96	(48.4)	3000	(207)	29 (13)
1.75	1-3/4"	3.45	(56.5)	2500	(172)	31 (14)
2.00	2"	3.94	(64.6)	2500	(172)	33 (15)

# DIMENSIONS

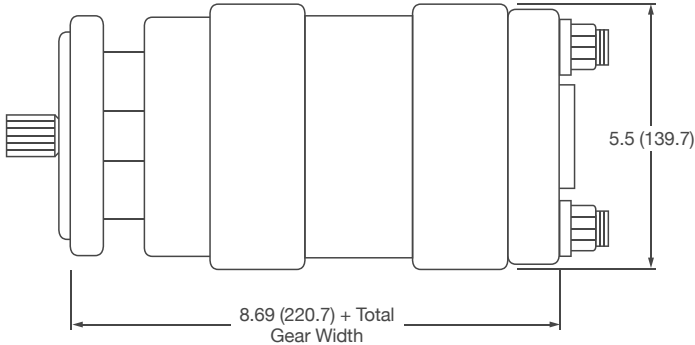
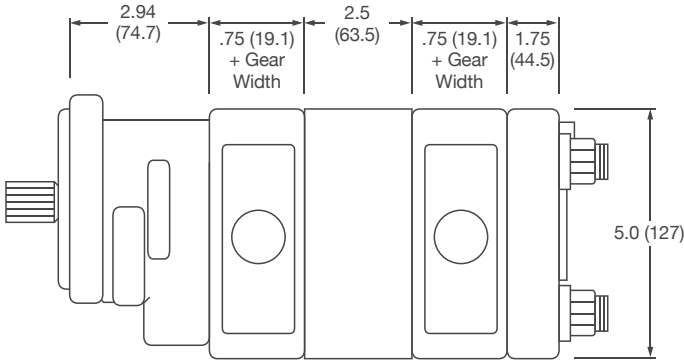
## Single Unit

\* Shaft dimension will change with the type of shaft used.



## Multiple Unit

\* Shaft dimension will change with the type of shaft used.

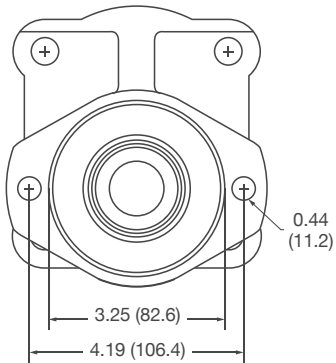


Dimensions are in inches (millimeters).

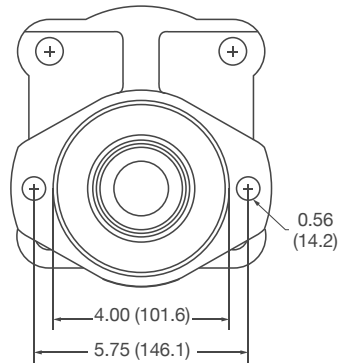
# MH20 Series Gear Pump & Motor

## SHAFT COVER DIMENSIONS

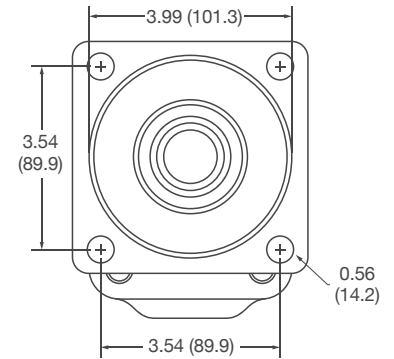
2-Bolt "A" Mount



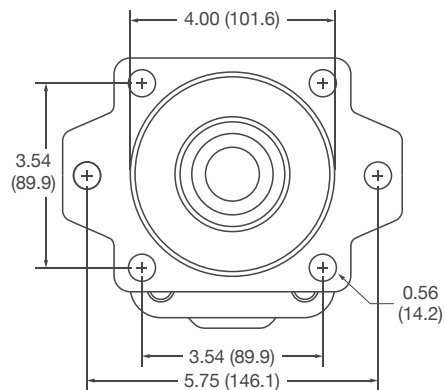
2-Bolt "B" Mount



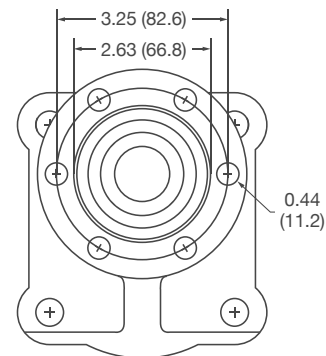
4-Bolt "B" Mount



2/4-Bolt "B" Mount



6-Bolt Round Mount



Dimensions are in inches (millimeters).



Hydralex Corporate  
48175 Gratiot Ave  
Chesterfield, MI 48051  
Toll Free: 800.422.4279  
Tel: 586.949.4240

[www.hydralex.com](http://www.hydralex.com)

Hydralex Detroit  
Hydralex Jackson  
Hydralex Seattle  
Hydralex Memphis

Tel: 586.949.4240  
Tel: 601.469.1987  
Tel: 253.604.0400  
Tel: 901.794.2462

[sales@hydralex.com](mailto:sales@hydralex.com)  
[sales@metarisusa.com](mailto:sales@metarisusa.com)  
[hrrdsales@hydralex.com](mailto:hrrdsales@hydralex.com)  
[fhisales@hydralex.com](mailto:fhisales@hydralex.com)



Connect with us:



All manufacturers names, symbols and descriptions in this document are used for reference purposes only, and it is not implied that any parts listed is the product of these manufacturers.