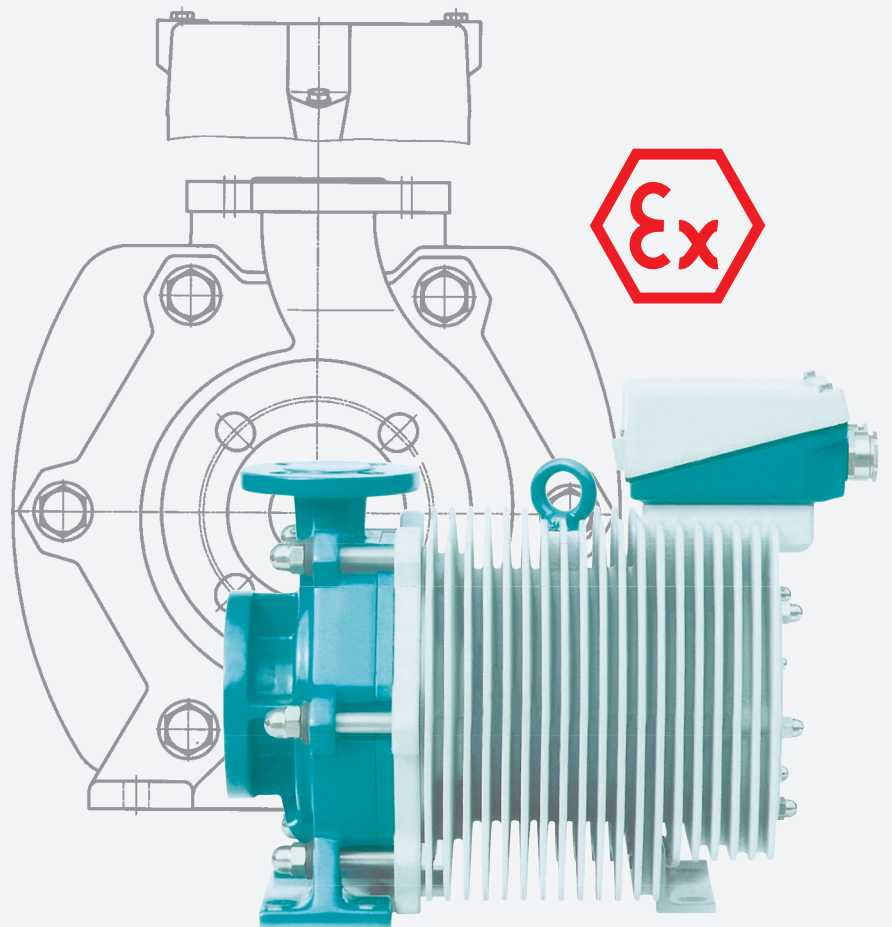


**Hermetical  
Standard Chemical Pump  
of PTFE / PFA**

***TAIFUN*<sup>®</sup> 32-200**

**with permanent magnet  
synchronous motor  
ISO 2858 / DIN EN 22858**



**WERNERT-PUMPEN**



**TAIFUN® 32-200**

**Hermetical  
Standard  
Chemical Pump  
of PTFE / PFA**

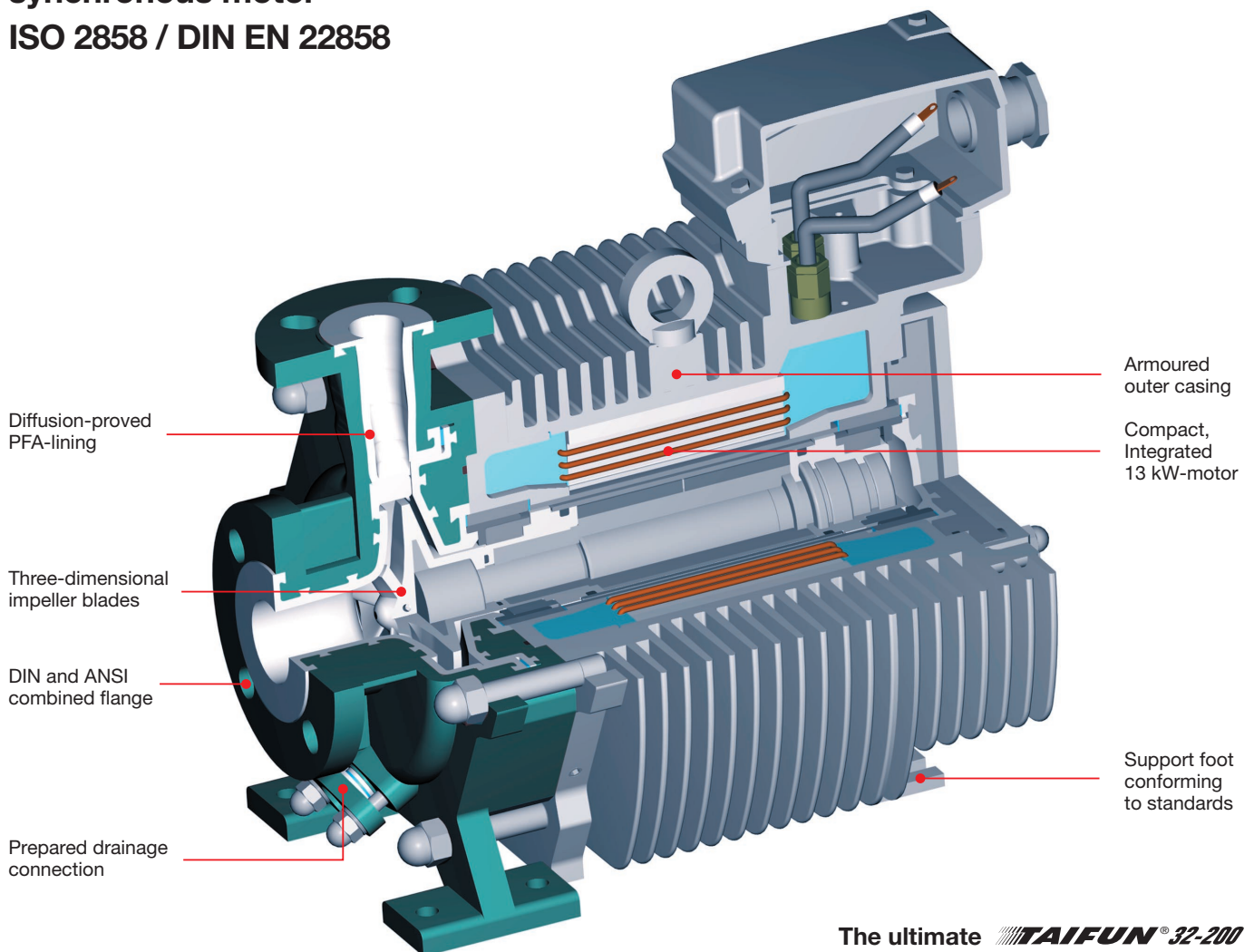
with permanent magnet  
synchronous motor  
ISO 2858 / DIN EN 22858

**Milestone**

With the presentation of the TAIFUN at the AICHEM 2000 a new standard for industrial safety was set. It has been the first time that a standard chemical pump of non-metallic material is available which is double hermetically sealed.

**All-purpose-use**

The TAIFUN can take any corrosive and/or toxic liquid on. Newest materials like PTFE, PFA and silicon carbide make the internal security zone. The metallic casing at the outside makes the pump tight and safe. Gas tight!



The ultimate **TAIFUN® 32-200**

## New mode of driving

The TAIFUN is very powerful, having the exact fitting dimensions of the size 50-32-200 and being provided with a 13 kW-motor. The motor is in accordance with ATEX 100a and can be used in explosion-proof-zones. The mystery is the principle of a synchronous drive system with the highest energy density and best efficiencies. The TAIFUN will always be operated with a frequency Inverter in the range of 0-250 Hz.

## Assembly and start-up

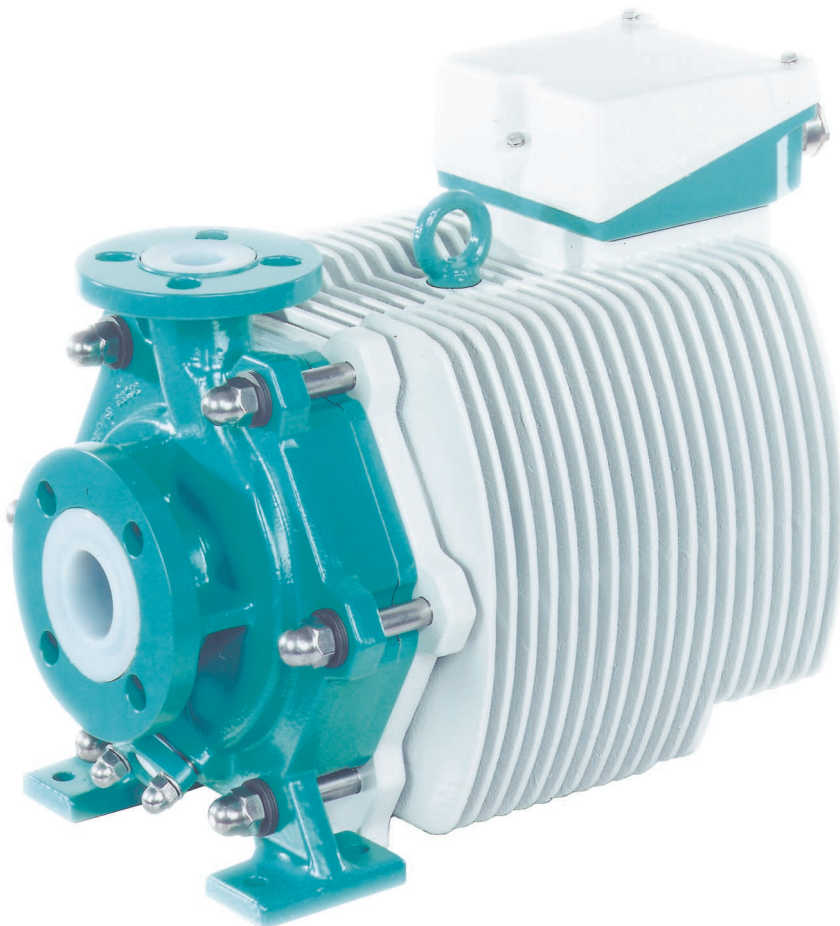
Once the rotation is adjusted (up to 5000 rpm) the TAIFUN will precisely and silently reach every working point within its range of the performance curve. Trimming of the impeller is no longer required. The TAIFUN can be taken from stock, assembled and started. It couldn't be easier.

## No variants

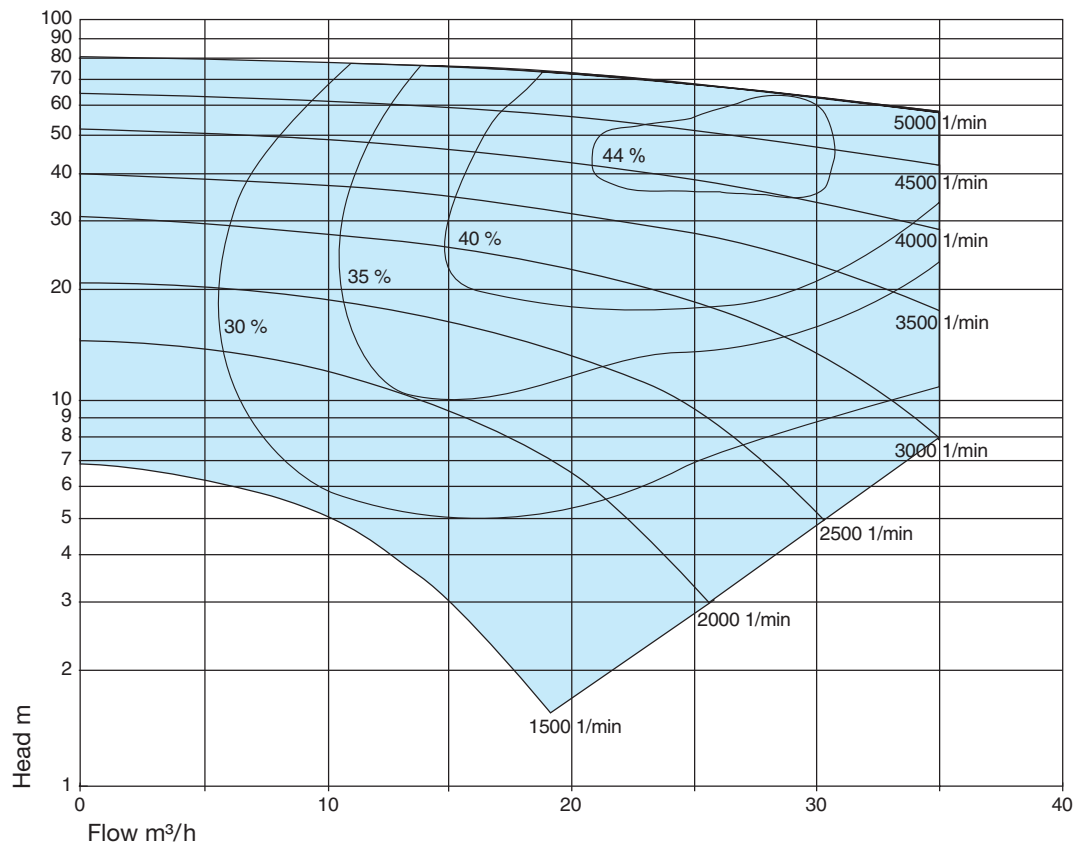
The TAIFUN does not require any constructive variants. A drainage connection is prepared and can be bored if required. The fitting flanges are suitable for ISO 2084 (DIN 2501 part 1) and for ANSI B 16.5 150 lbs. High safety standards as well as all-purpose-use and complete hydraulic flexibility mean the TAIFUN is a works standard in every chemical plant.

## Operative range

- Flow: 1 – 35 m<sup>3</sup>/h
- Head: 1 – 80 m
- Required power: 13 kW
- Rotation: 60 – 5000 rpm
- Max. Liquid temperature: 150° C
- Max. Ambient temperature: 40° C
- Max. Solid content:  
1 % up to 50 µm



We reserve the right to make technical modifications.



## EC Type test certificate

Equipments and protection systems for determined use in potentially explosive areas according to directive 94/9/EC

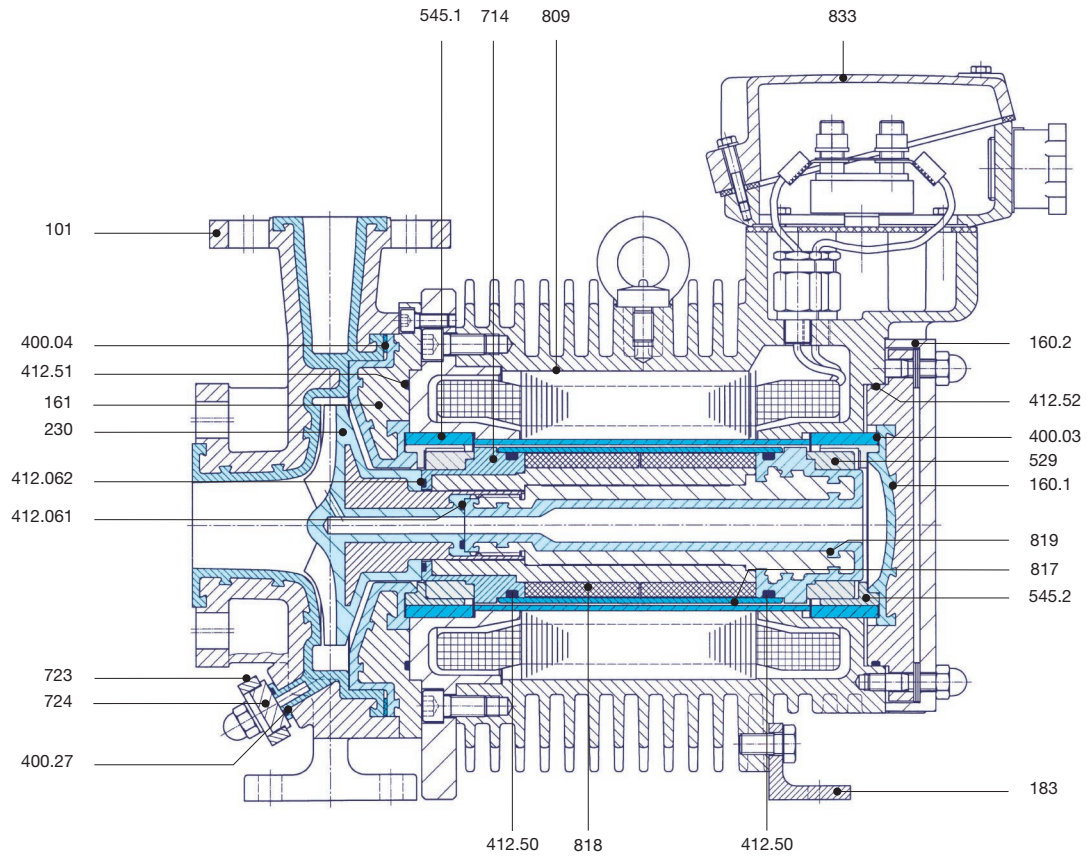
**EC Type test certificate number PTB 01 ATEX 1094**

### Designation

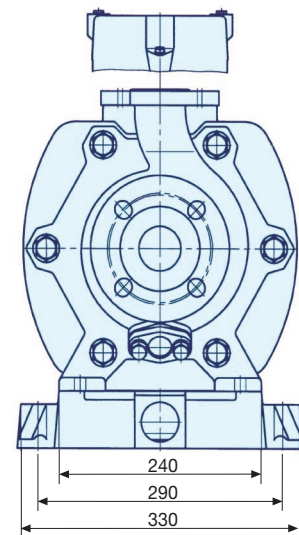
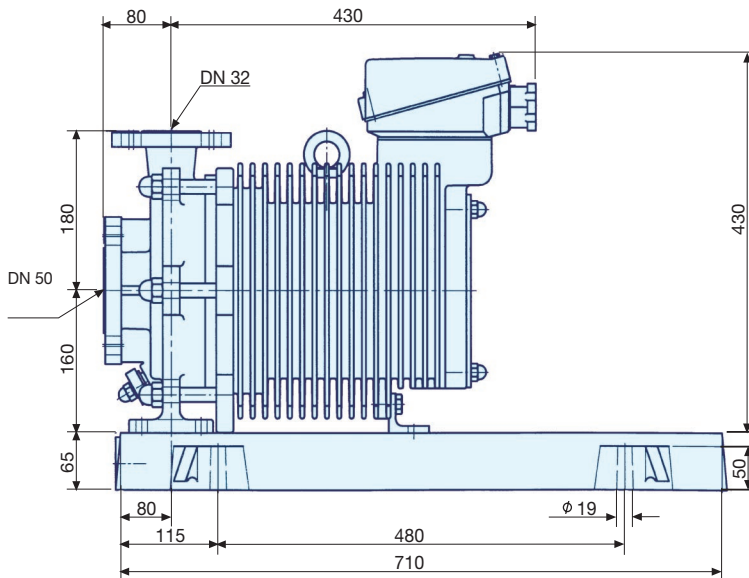
<b>II</b>	→	Group of equipment: Electrical equipment for all potentially explosive areas except for fiery underworkings
<b>2 G</b>	→	Category 2G, Gases, steams and mist Definition (94/9/EC) for <u>occasional</u> explosive atmosphere
<b>EEx</b>	→	Designation according to EN
<b>d</b>	→	Flameproof enclosure
<b>e</b>	→	Raised type of protection
<b>IIC</b>	→	Explosion group of gases and steams
<b>T6 to T3</b>	→	Temperature class defines the maximum allowed surface temperature of the electrical equipment T3 → 200 °C, T4 → 135 °C

### Flammable and non flammable liquids

In case of a flammable liquid to be pumped the liquid level within the pump must be controlled by a level meter or flow meter. This will not be required in case of a non flammable liquid to be pumped.



Part No.	Designation	Part No.	Designation	Part No.	Designation	Part No.	Designation	Part No.	Designation
101	Pump casing	230	Impeller	412.51	O-Ring	545.1	Bearing bush	809	Drive
160.1	Cover	400.03	Gasket	412.52	O-Ring	545.2	Bearing bush	817	Can
160.2	Cover	400.04	Gasket	412.061	O-Ring	714	Shaft wearing pipe	818	Rotor
161	Casing cover	400.27	Gasket	412.062	O-Ring	723	Flange	819	Motor shaft
183	Support foot	412.50	O-Ring	529	Bearing sleeve	724	Blind flange	833	Terminal box



**WERNERT-PUMPEN**



WERNERT-PUMPEN GMBH · P.O.Box 10 21 53 · D-45421 Mülheim an der Ruhr · Germany  
Phone: +49 (0) 208 / 37 58 - 0 · Fax: +49 (0) 208 / 37 58 - 111 · e-mail: [info@wernert.de](mailto:info@wernert.de) · <http://www.wernert.de>