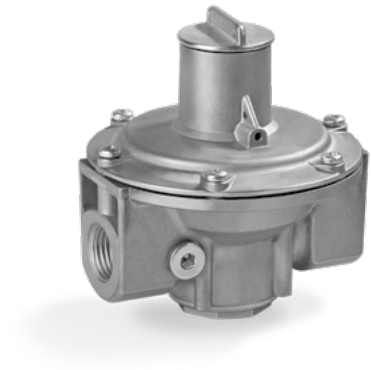


# Gas pressure regulators J78R

## TECHNICAL INFORMATION

- Pressure regulators for gaseous media for installation in all types of gas appliances
- Inlet pressure compensation diaphragm in J78R ensures high control accuracy
- Breather line is not required
- EU certified

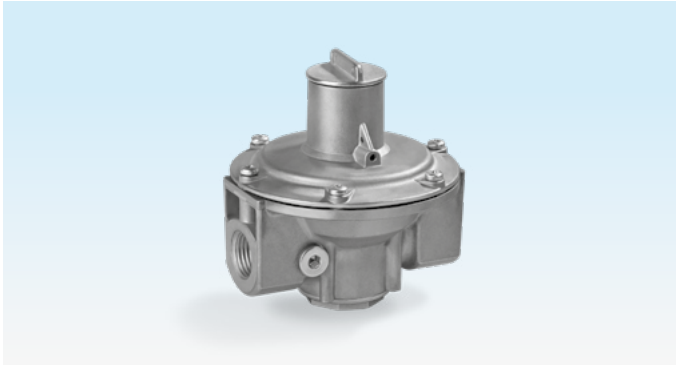


---

# Contents

<b>Contents</b> .....	<b>2</b>
<b>1 Application</b> .....	<b>3</b>
1.1 Application examples .....	3
1.1.1 Atmospheric surface burner .....	3
1.1.2 Gas trains .....	3
<b>2 Certification</b> .....	<b>4</b>
<b>3 Function</b> .....	<b>5</b>
3.1 J78R .....	5
<b>4 Flow rate</b> .....	<b>6</b>
4.1 Calculating the nominal size .....	6
<b>5 Type code</b> .....	<b>7</b>
5.1 Type code J78R .....	7
<b>6 ProFi</b> .....	<b>8</b>
<b>7 Project planning information</b> .....	<b>9</b>
7.1 Installation .....	9
<b>8 Technical data</b> .....	<b>10</b>
8.1 J78R spring table .....	10
8.2 Dimensions .....	11
8.3 Converting units .....	11
<b>9 Maintenance cycles</b> .....	<b>12</b>
<b>Fore more information</b> .....	<b>13</b>

## 1 Application



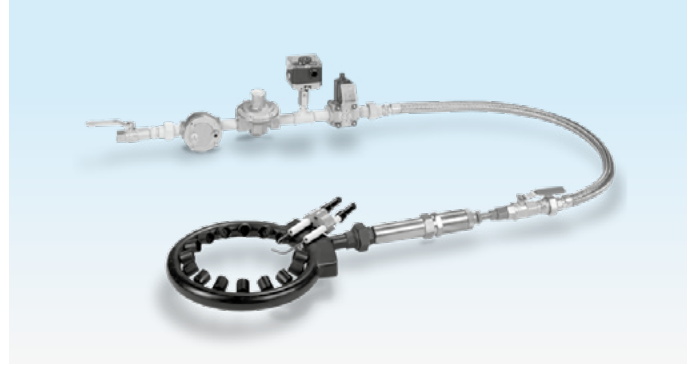
*J78R for use in gas trains, for example*

For controlling the pressure of the gas or air supply to gas burners and gas appliances. An optional connection for pilot gas supply lines or pressure test nipples is available for the inlet of the J78R.

The pressure regulators comply with the requirements of EN 88, Class A, Group 2.

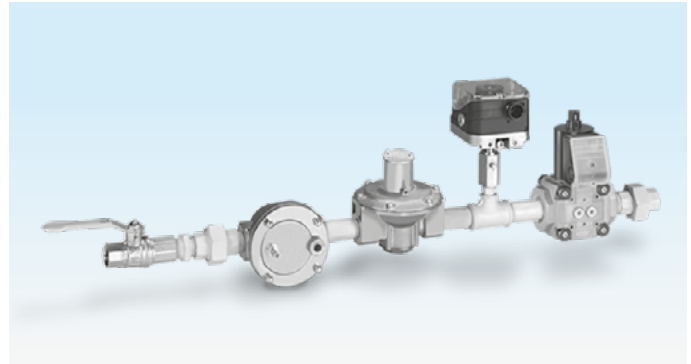
### 1.1 Application examples

#### 1.1.1 Atmospheric surface burner



To maintain a constant gas pressure on gas surface burners with an inlet pressure of less than 100 mbar.

#### 1.1.2 Gas trains



Control of the gas pressure in gas inlet sections up to 100 mbar.

## **2 Certification**

Certificates – see [www.docuthek.com](http://www.docuthek.com)

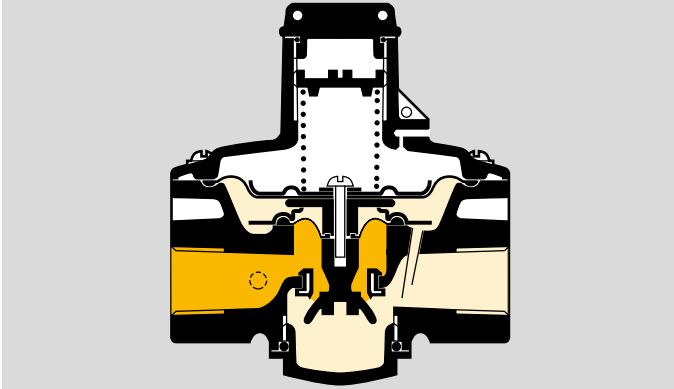
### **EU certified**



- (EU) 2016/426 (GAR) – Gas Appliances Regulation
- EN 88-1:2011

## 3 Function

### 3.1 J78R



*Spring-loaded pressure regulator with inlet pressure compensation diaphragm and zero shut-off*

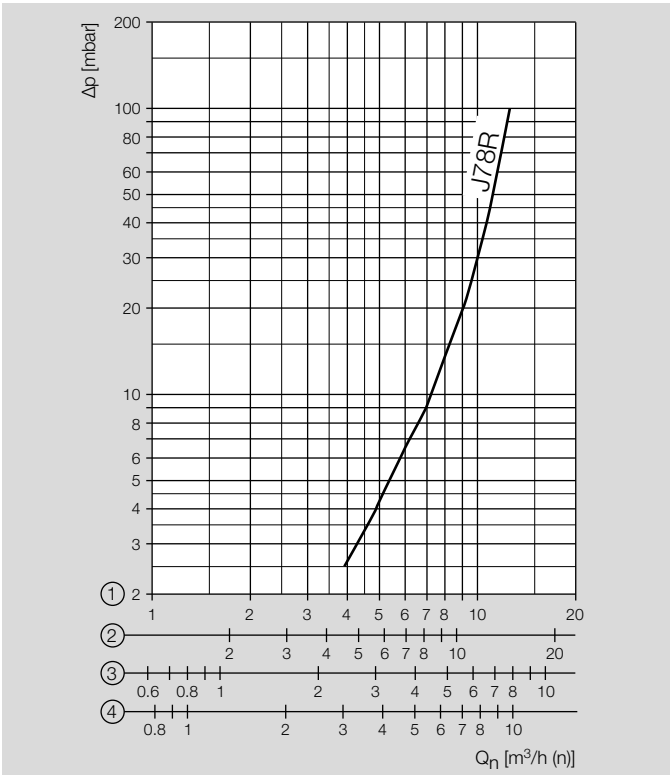
The outlet pressure is maintained constant despite changing gas flow rates, depending on the setting of the setpoint spring. Different springs can be used to obtain various outlet pressure ranges.

The inlet pressure compensation diaphragm ensures high control accuracy with changing supply pressures.

The zero shut-off limits an increase in the outlet pressure when the consumer is switched off.

A breather line is not required.

## 4 Flow rate



1 = natural gas ( $\rho = 0.80 \text{ kg/m}^3$ )

2 = town gas ( $\rho = 0.58 \text{ kg/m}^3$ )

3 = propane ( $\rho = 2.01 \text{ kg/m}^3$ )

4 = air ( $\rho = 1.29 \text{ kg/m}^3$ )

### 4.1 Calculating the nominal size

A web app selecting the correct product is available at [www.adlatus.org](http://www.adlatus.org).

## 5 Type code

### 5.1 Type code J78R

<b>J78R</b>	Pressure regulator for gas
<b>0</b>	No pressure test point
<b>1</b>	Screw plug at the inlet
<b>-L*</b>	Only for air (without approval)

\* If "none", this letter is omitted.

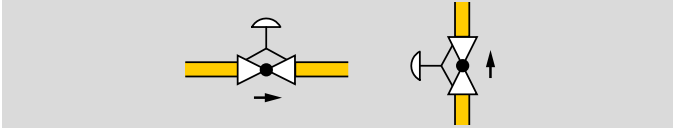
## **6 ProFi**

A web app selecting the correct product is available at [www.adlatus.org](http://www.adlatus.org).



## 7 Project planning information

### 7.1 Installation



Installation position: spring dome in the vertical upright position or tilted up to the horizontal, not upside down.

Install the unit free of mechanical stress and so that it is not in contact with masonry (min. clearance 20 mm).

Ensure that there is sufficient space for changing the spring.

Do not store or install the unit in the open air.

Sealing material and dirt, e.g. thread cuttings, must not be allowed to get into the regulator housing.

Install a filter (GFK) upstream of every system.

## 8 Technical data

Gas types: town gas, natural gas, LPG (gaseous) and bio-gas, J78R..L for air only.

Inlet pressure  $p_u$ : up to 100 mbar.

Pressure regulator to EN 88-1, Class A, Group 2.

Ambient temperature: -20 to +60°C (-4 to +140°F).

No condensation permitted.

Long-term use in the upper ambient temperature range accelerates the ageing of the elastomer materials and reduces the service life (please contact manufacturer).

Storage temperature: -20 to +40°C (-4 to +104°F).

Housing: aluminium,  
diaphragms: NBR.

### J78R

Measuring connection with screw plug Rp 1/8 at the inlet on the right-hand side (option).

Outlet pressure  $p_d$ : 6–55 mbar.

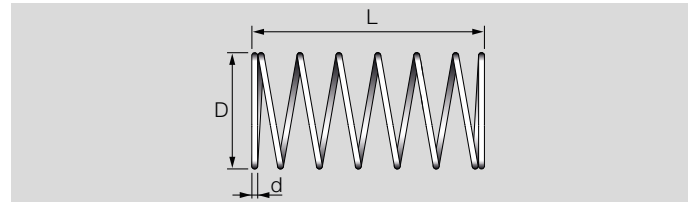
The outlet pressure  $p_d$  is adjusted by inserting different springs, see spring table. It is preset at the factory to 20 mbar (black spring).

Weight: 0.52 kg.

Connecting thread: Rp 1/2 to ISO 7-1, DN 15.

Valve seat: NBR,  
valve plate: POM.

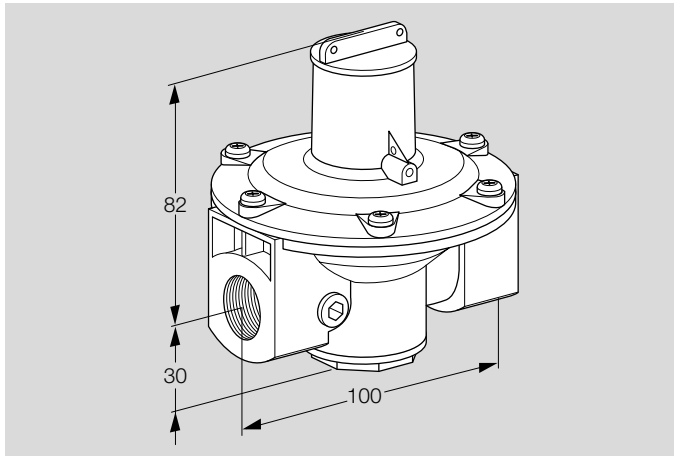
### 8.1 J78R spring table



Outlet pressure		Spring marking	[mm]			Coils	Order No.
mbar	"WC		D [mm]	d [mm]	L [mm]		
6–9	2.4–3.6	dark green/red	21.80	1.2	40.3	12.5	03089041
9–17	3.6–6.8	yellow	21.84	1.2	42.1	10.0	03089042
15–23 <sup>1)</sup>	6–9.3	black	21.64	1.2	54.4	11.5	03089043
22–31	8.8–12.5	orange	21.84	1.2	63.5	11.0	03089044
31–42	12.5–16.9	brown	21.95	1.3	65.1	10.5	03089045
42–55	16.9–22.1	light green/light blue	20.92	1.4	40.0	6.5	03089047

1) Standard equipment

## 8.2 Dimensions



J78R

## 8.3 Converting units

See [www.adlatus.org](http://www.adlatus.org)

## **9 Maintenance cycles**

At least once a year, at least twice a year in the case of biologically produced methane.

## Fore more information

The Honeywell Thermal Solutions family of products includes Honeywell Combustion Safety, Eclipse, Exothermics, Hauck, Kromschroder and Maxon. To learn more about our products, visit [ThermalSolutions.honeywell.com](https://www.thermal-solutions.com) or contact your Honeywell Sales Engineer.

Elster GmbH  
Strothweg 1, D-49504 Lotte  
T +49 541 1214-0  
[hts.lotte@honeywell.com](mailto:hts.lotte@honeywell.com)  
[www.kromschroeder.com](http://www.kromschroeder.com)

Global centralized service deployment coordination:  
T +49 541 1214-365 or -555  
[hts.service.germany@honeywell.com](mailto:hts.service.germany@honeywell.com)

© 2020 Elster GmbH

We reserve the right to make technical modifications in the interests of progress.

**Honeywell**

**krom  
schroder**