

MA368 - SERIES



HEAVY DUTY INCREMENTAL ENCODER Ø 68 MM

Encoder with special flange and 3 mountingholes M4

- Ø 68 mm
- 6 or 10 mm solid shaft with face
- Enlarged sturdy bearings
- Short circuit and reversed polarity proof
- Dust and splash proof up to IP67
- Standard: 5-30V power supply, 300KHz
2 square wave signals
Marker pulse and inverted signals
- Options: 5V power supply, 300 KHz
7-35V power supply, 100 KHz

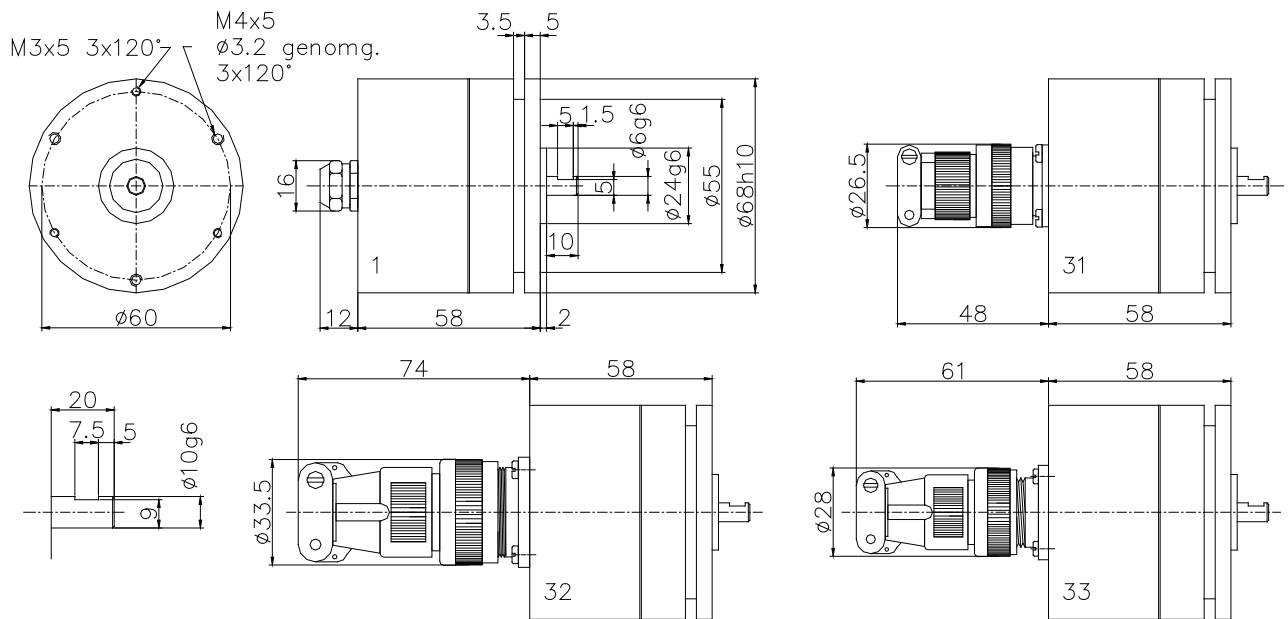


*Flexible and durable
encoder for demanding
applications*



Conforms to european EMC directive 89/336/EEC standards:
EN61000-6-4 emission in industrial environments,
EN61000-6-2 immunity in industrial environ

INCREMENTAL ENCODER MODEL MA368

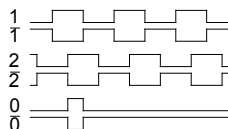
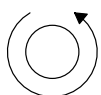


ELECTRICAL SPECIFICATION, STANDARD

Supply voltage	Vcc 5–30 V
Current consumption	Max 40 mA without load
Output circuit	Linedriver RS422A compatible
Low level output volt.	Max <0,5 V at 20 mA load and 20°C
High level output volt.	Min >Vcc-1V at 20mA load and 20°C
Short circuit protected	Yes
Polarity protected	Yes
Transient protected	Yes
Max load	70 mA

OUTPUT SIGNALS, STANDARD

CCW rotation viewed from shaft end



SIGNAL ACCURACY

Dividing error max	±50 el°
Channel separation	90 ±25 el°
Max frequency	300 KHz
Operating temperature	-40° till +80°C

MECHANICAL SPECIFICATION

Housing	Aluminum, electrically conductive for increased interference protection
Sealing	IP67 dust and splash proof
Bearings	Permanently greased
Bearing load at	1 000 rpm:
Radial	180 N Gives 50 000 hrs
Axial	130 N bearing life
Max rpm	6 000 (12 000)
Vibration	20g 20-2000 Hz
Chock	200g vid 11 ms
Weight	ca: 450 gr (without cable)

CONNECTIONS

1. Axial cable, 1 m
31. Axial 8-pin male connector KPT02E 12-8P
32. Axial 10-pin male connector MS3102E 18-1P
33. Axial 6-pin male connector MS3102E 14S-6P

FUNCTION

	Cable 1-2	Conn 31-32	33
1	Green	A	B
2	Yellow	D	C
0	Brown	G	D
1 inv	White	B	
2 inv	Black	C	
0 inv	Violet	H	
+V	Red	E	F
0 V	Blue	F	A
Gnd	Screen	Chassi	Chassi

MATING CONNECTORS

- For 31, KPT06E 12-82
 For 32, MS3106E 18-15
 For 33, MS3106E 14S-6S

ORDERING CODE

Model	MA368	6	1000	1	X
Shaft 6 or 10 mm					
Pulse rate 1-5 000					
Connection					
X= meter cable					

