

UniOP eTOP605

eTOP Series 600 HMI products combine state-of-the-art features and top performance with an outstanding design. They are the ideal choice for all demanding HMI applications including factory and building automation.

The glass projected capacitive touchscreen and the brilliant 5" widescreen display with resolution of 800x480 guarantee great optical performance and are up to the most demanding user interface requirements

The JMobile software offers full vector graphic and plenty of connectivity options.



- 5" TFT color display, resolution 800x480 pixel, 64K colors
- LED backlight dimmable to 0%
- Projected capacitive touchscreen. True glass design
- 2 Ethernet ports with switch function
- 1 USB Host port
- SD Card slot
- Plug-in modules for system expansion

Highlights

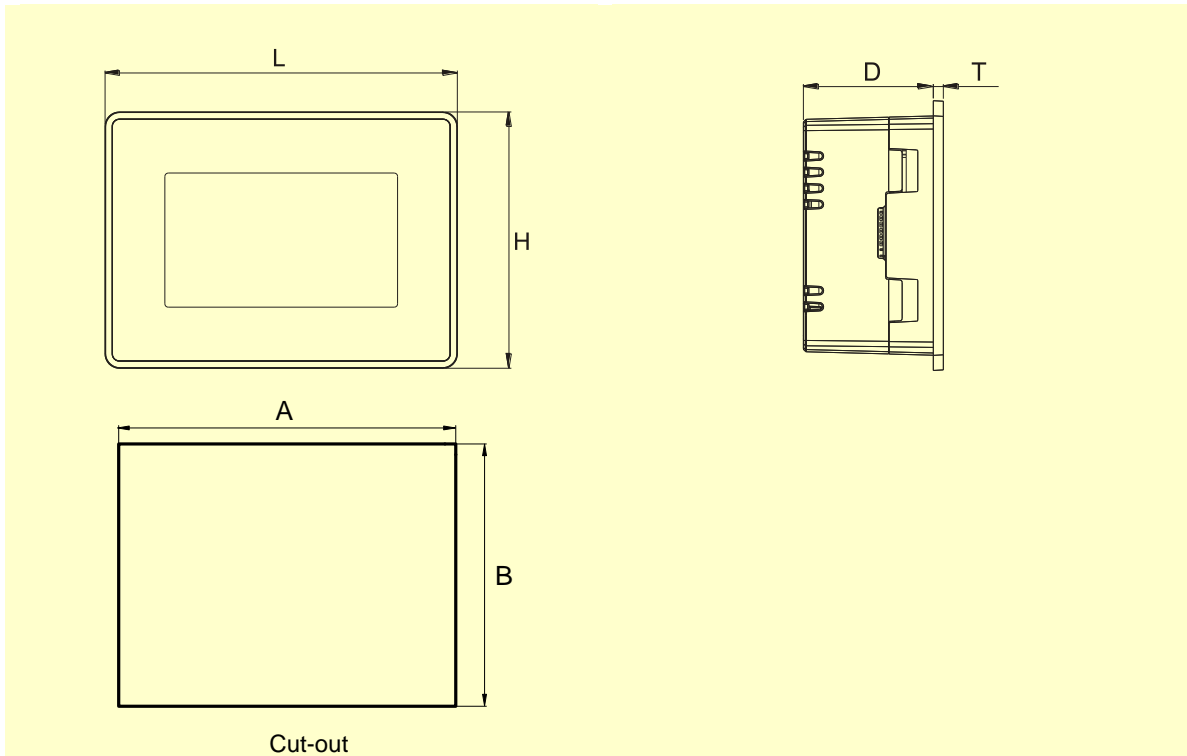
The eTOP Series 600 HMI panels have been designed to run the JMobile software.

- JMobile runtime included. Full compatibility with JMobile Studio.
- Full vector graphic support. Native support of SVG graphic objects. Transparency and alpha blending.
- Full object dynamics: control visibility and transparency, move, resize, rotate objects on screen. Change properties of basic and complex objects.
- TrueType fonts
- Multilanguage applications. Easily create and manage your applications in multiple languages to meet global requirements. Far East languages are supported. Tools available in JMobile Studio support easy third-party translations and help reducing development and maintenance costs of the application.
- Rich set of state-of-the-art HMI features: graphical presentation of data presentation, data acquisition, alarm handling, scheduler and timed actions (daily and weekly schedulers, exception dates), recipe data storage, users and passwords, e-mail and RSS feeds, rotating menus.
- Includes support for a wide selection of communication drivers for factory automation and building automation.
- Multiple drivers communication capability.
- Remote monitoring and control. Client-Server functionality. Mobile clients supported.
- Remote maintenance and support with VNC-based functionality.
- Off-line and on-line simulation of the HMI application with JMobile Studio.
- Powerful scripting language for automating HMI applications. Script debugging improves efficiency in application development.
- Create and print reports to printers and to file.
- Page templates to simplify application design.
- Rich gallery of symbols and objects.

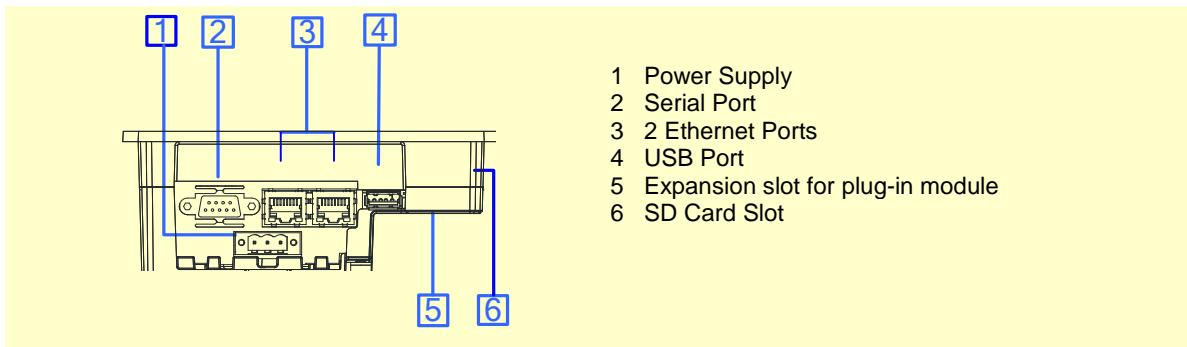
Technical Data

Display Type Resolution Active display area Colors Backlight Brightness Dimming	TFT 800x480, WVGA 5" diagonal 64K LED 200 Cd/m ² typ. Dimmable to 0%	Fuse Weight Battery	Automatic Approx 1.0 Kg Rechargeable Lithium battery, not user-replaceable
System Resources Operating System User memory RAM	Microsoft Windows CE 6.0 128 MB Flash 256MB DDR	Environmental Conditions Operating temperature Storage temperature Operating and storage humidity Protection class	-20° to +50 °C (vertical installation) -20 to +70 °C 5 – 85 % relative humidity, non-condensing IP66 (front) IP20 (rear)
Operator Interface Touchscreen LED indicators	Projected capacitive -	Dimensions Faceplate LxH Cutout AxB Depth D+T	147x107 mm (5.78x4.21") 136x96 mm (5.35x3.78") 56+8 mm (2.40+0.31")
Interface Ethernet USB Serial Memory Card Expansion	2 10/100 Mbit with integrated Switch 1 Host Interface (version 2.0 and 1.1) RS-232, RS-485, RS-422, software configurable Max 2 serial ports with optional plug-in modules. SD Card slot 1 slot for optional plug-in modules	Approvals CE DNV Pending approval ATEX Pending approval UL Pending approval C-Tick Pending approval	Emission EN 61000-6-4 Immunity EN 61000-6-2 for installation in industrial environments DNV Type Approval Certificate Zone 2/22, II 3G / II 3D UL508 Listed Haz. Loc. Class I, Division 2, Groups A,B,C and D. C-Tick mark
Functionality Hardware Real Time Clock Screen saver Buzzer	Yes, with battery back-up Yes Yes, audible feedback for touchscreen		
Ratings Power supply voltage Current consumption	24 Vdc (10 to 32 Vdc) 0.6 A at 24Vdc(max.)		

Dimensions



Connections



Ordering Information

Model	Part Number	Description
eTOP605	+ETOP605U5P1	5" widescreen TFT color with projected capacitive touchscreen. Ethernet, serial and USB interfaces. JMobile runtime.

ptn0434

Ver. 1.0

Copyright © 2014 Exor International S.p.A. – Verona, Italy

Subject to change without notice

The information contained in this document is provided for informational purposes only. While efforts were made to verify the accuracy of the information contained in this documentation, it is provided "as is" without warranty of any kind.

www.exorint.net